

AP-1

Price Computing Scale

- 15 lb \times 0.005 and 30 lb \times 0.01 Versions Available
- 28 Preset Pricing Keys
- 200 PLU Memory
- Accumulator Feature



CAS

AP-1 Price Computing Scale

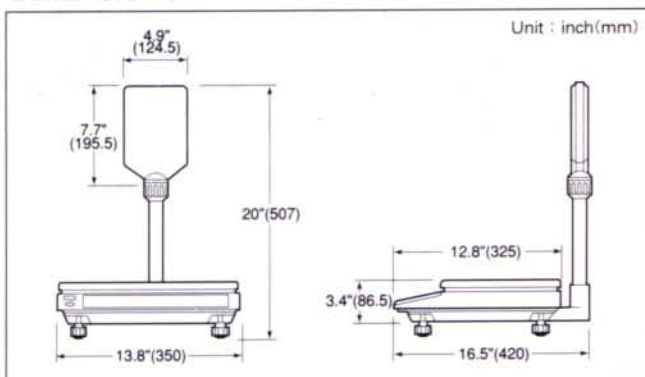
FEATURES

- 200 Price Look Up's with 28 Preset Keys for Fast Look Up of Common Prices.
- Zero, Tare, Tare Save, PrePack, and ADD + Total Keys
- VFD Displays
- 6 Digit Unit Price and Total Price, 5 Digit Weight Displays
- Stainless Steel Platter
- 1/2 lb. and 1/4 lb. Keys, where allowed
- Auto Span Adjustment
- Auto Zero Tracking

SPECIFICATIONS

Model	AP-1	
Weighing Capacity	15 × 0.005 lbs 6 kg × 2 g	30 × 0.01 lbs 15 kg × 5 g
Display Digit	Total price / Weight / Unit price (5 / 6 / 6)	
Display Designators	Zero and Tare	
Maximum Tare	-15.00 lb / -6.000 kg	-30.00 lb / -9.995 kg
Power Source	AC 120V, 60Hz	
Power Consumption	Approx. 10W	
Operating Temperature	-10°C ~ +40°C (14°F ~ 104°F)	
Platter Size (inch / mm)	Normal : 13.6(W) × 8.6(D) / 345(W) × 225(D) Large : 17.3(W) × 10.8(D) / 440(W) × 275(D)	
Dimensions (inch / mm)	13.8(W) × 16.5(D) × 20(H) / 350(W) × 420(D) × 507(H)	
Product Weight	14.3 lb / 6.5 kg	

DIMENSIONS

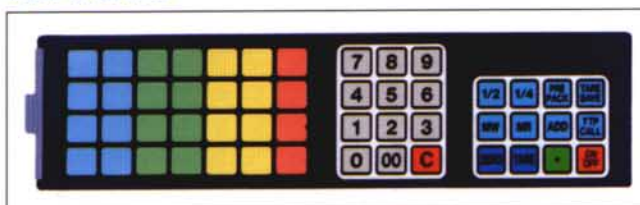


Display On The Rear Side



Large Platter

KEY BOARD



OPTIONS

- Produce Platter : 17.3(W) × 10(D) × 2(H) inch / 440(W) × 275(D) × 50(H) mm
- Wet Cover

CAS

CAS USA Corporation

Toll Free in the USA : (800) 223-4227

NJ OFFICE

99 Murry Hill Parkway
East Rutherford, NJ 07073
(201) 933-9002 Phone
(201) 933-9025 Fax

CA OFFICE

4879E La Palma Avenue, Unit 207
Anaheim, CA 92807
(714) 693-1936 Phone
(714) 693-9213 Fax

CashRegisterStore.com

Specifications subject to change for improvement without prior notice.