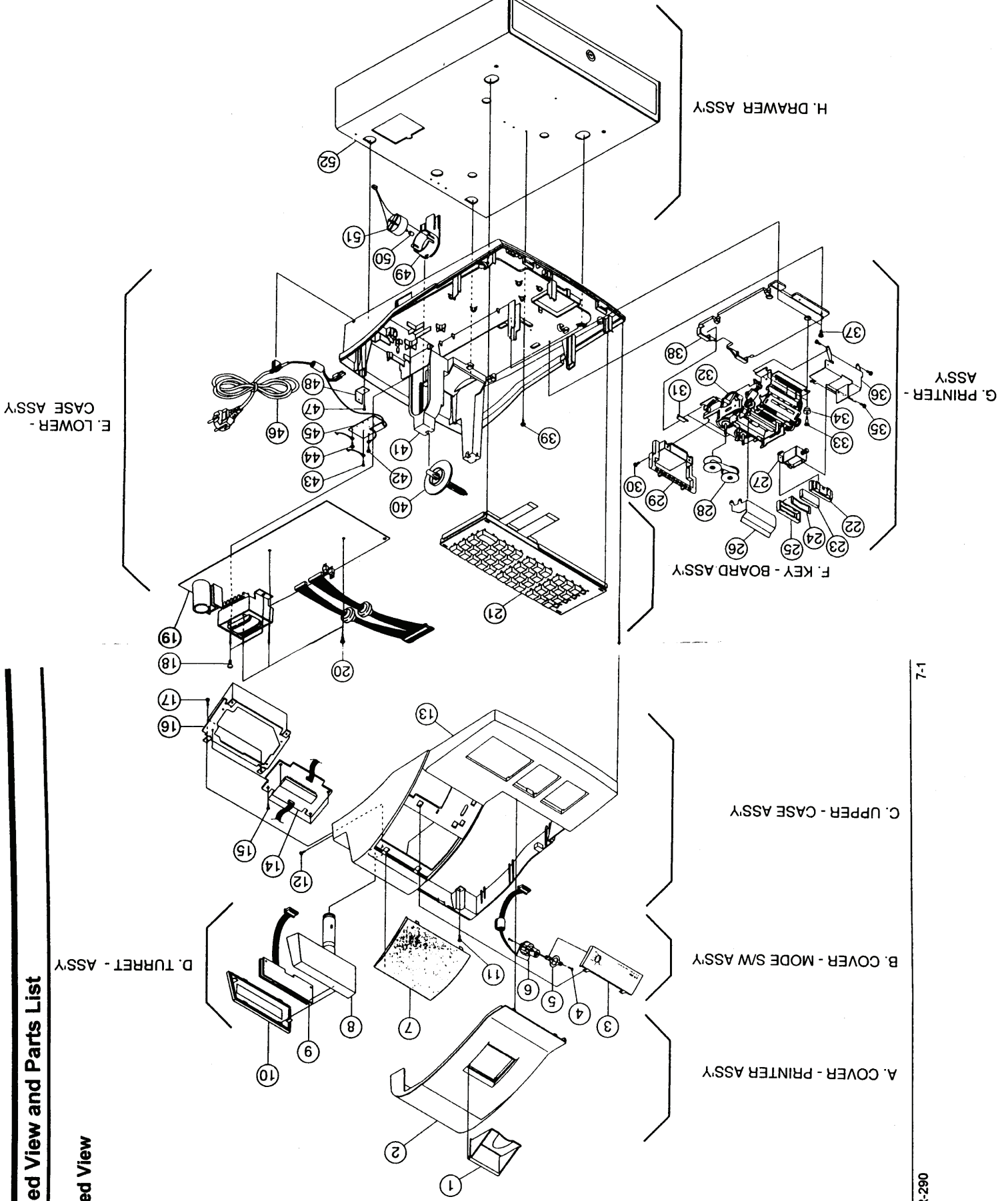


7 Exploded View and Parts List

7-1 Exploded View



7-2 Exploded Parts List

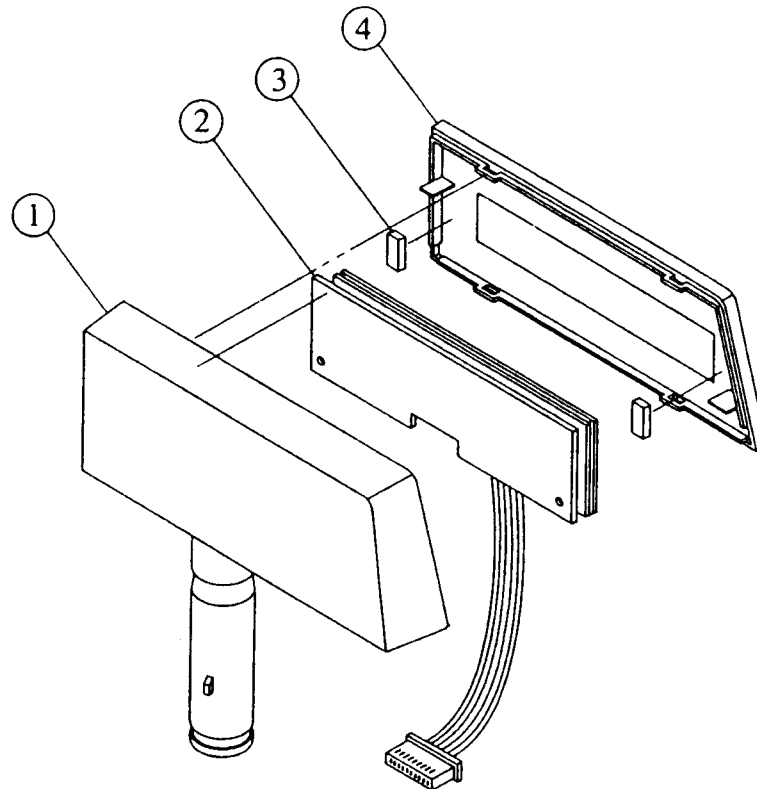
| Loc. No. | Parts No. | Description | Specification | Remark |
|----------|-------------|--------------------|---------------|--------|
| 1 | JK72-40918A | WINDOW-JOURNAL | ACRYL | |
| 2 | JK72-40917A | COVER-PRINTER | ABS(V0) | |
| 3 | JK72-40934A | COVER-MODE S/W | ABS(V0) | |
| 4 | 6002-000319 | SCREW-TAPPING | PH,M3,L8 | |
| 5 | JK70-10004A | BRK'T-MODE SWITCH | SECC,T1.0 | |
| 6 | JK96-00956A | MODE KEY ASS'Y | - | |
| 7 | JK72-40951A | WINDOW-DISPLAY | PC (Sec STD) | |
| | JK72-40211A | WINDOW-DISPLAY | PC | |
| 8 | JK72-40210A | TURRET-BODY | ABS(V0) | |
| 9 | JK41-10002A | TURRET-PCB ASS'Y | 9digit | |
| 10 | JK72-40209B | WINDOW-TURRET | PC | |
| 11 | 6002-000174 | SCREW-TAPPING | PWH,M3,L10 | |
| 12 | 6001-000367 | SCREW-MACHINE | FH,M4,L10 | |
| 13 | JK72-40213A | CASE-UPPER | ABS(V0) | |
| 14 | JK41-10504A | DISPLAY-PCB ASS'Y | 9digit | |
| 15 | 6002-000175 | SCREW-TAPPING | PWH,M3,L8 | |
| 16 | JK70-10407A | BRK'T-WINDOW PCB | SECC,T1.0 | |
| 17 | 6002-000175 | SCREW-TAPPING | PWH,M3,L8 | |
| 18 | 6003-000014 | SCREW-TAPPING | PWH,M5,L14 | |
| 19 | JK41-10505A | MAIN-BOARD | - | |
| 20 | 6002-000174 | SCREW-TAPPING | PWH,M3,L10 | |
| 21 | JK59-10525A | KEY BOARD ASS'Y | U.S.A STD | |
| | JK59-10528A | KEY BOARD ASS'Y | Europe STD | |
| | JK59-10528B | KEY BOARD ASS'Y | Germany STD | |
| 22 | JK72-40203A | COVER-HOLDER | ABS(V0) | |
| 23 | JK73-10206A | RPR-STAMP | ENGLISH STD | |
| | JK73-10206B | RPR-STAMP | SPANISH STD | |
| 24 | JK70-10347A | PLATE-SPRING | STS 304 | |
| 25 | JK72-40202A | COVER-STAMP | ABS(V0) | |
| 26 | JK70-10903A | PLATE-STAMP | SUS 304 | |
| 27 | JK75-10906A | SOLENOID ASS'Y | - | |
| 28 | JK75-10382A | MEC-RIBBON | - | |
| 29 | JK72-40921A | GUIDE-PAPER | ABS(V0) | |
| 30 | 6001-000618 | SCREW-MACHINE | PH,M4,L8 | |
| 31 | JK73-40901A | FOOT-REAR | NR,BLK | |
| 32 | JK59-10522A | UNIT-PRINTER ASS'Y | M-405R | |
| 33 | 6002-000209 | SCREW-TAPPING | RWH,M3,L17.5 | |

| | | | | |
|----|-------------|------------------|-------------|--|
| 34 | JK73-40201A | PMO-PRINTER | RUBBER | |
| 35 | 6001-000665 | SCREW-MACHINE | PWH,M3,L4 | |
| 36 | JK70-10902A | BRACKET-STAMP | SECC,T1.0 | |
| 37 | 6002-000174 | SCREW-TAPPING | PWH,M3,L10 | |
| 38 | JK72-40919A | HOLDER-PRINTER | ABS(V0) | |
| 39 | 6003-000221 | SCREW-TAP TITE | PWH,M4,L8 | |
| 40 | JK72-40215A | PULLY-WINDING | ABS(V0) | |
| 41 | JK72-40214A | CASE-LOWER | ABS(V0) | |
| 42 | 6006-000199 | SCREW-ASS'Y TAPT | WT,BH,M4,L8 | |
| 43 | 6006-000196 | SCREW-ASS'Y TAP | WT,RH,M3,L8 | |
| 44 | 6002-000174 | SCREW-TAPPING | PWH,M3,L10 | |
| 45 | JK70-10001A | PLATE-GROUND | SECC T1.2 | |
| 46 | JK39-10003A | POWER-CORD ASS'Y | U.S.A STD | |
| | JK39-10001A | POWER-CORD ASS'Y | Europe STD | |
| | JK39-10008A | POWER-CORD ASS'Y | U.K. STD | |
| | JK39-10002A | POWER-CORD ASS'Y | AUSTRALIA | |
| 47 | 6002-000171 | SCREW-TAPPING | PH,M4,L10 | |
| 48 | JK70-10002A | BRACKET-CASING | SECC T1.6 | |
| 49 | JK72-40206A | HOLDER-MOTOR | ABS(V0) | |
| 50 | JK73-30200A | RCT-MOTOR | URETANE | |
| 51 | 3101-001071 | MOTOR-DC | - | |
| 52 | JK75-10397A | ASS'Y-DRAWER | B43NB | |
| | JK75-10398A | ASS'Y-DRAWER | B44LB | |
| | JK75-10907A | ASS'Y-DRAWER | A55NA | |
| | JK75-10908A | ASS'Y-DRAWER | A55CA | |
| | JK75-10909A | ASS'Y-DRAWER | A84NA | |
| | JK75-10910A | ASS'Y-DRAWER | A84CA | |

7-3 Window Display (c.f. 10-2 PCB diagram)

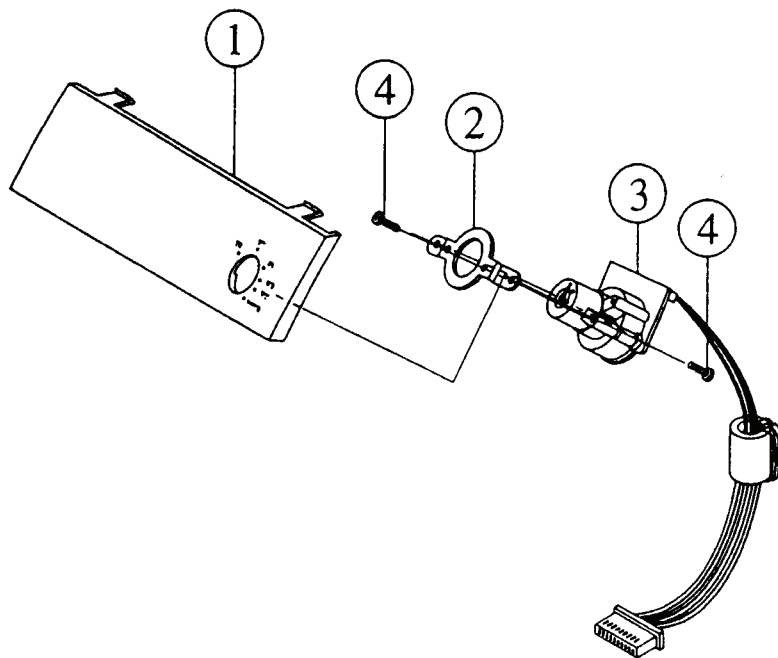
| Loc. No. | Code No. | Description | Specifications | Remarks |
|---------------|-------------|---------------------|-------------------------|-----------|
| | JK96-00943A | ASS'Y,DISPLAY | ER-290, 9 DIGIT | |
| J1~102 | BH39-40305U | CBF-HARNESS | 52MM,,AWG22 | |
| | JK07-10100A | VACCUM/TUBE-F.D | 10G,4.2V, | 9 DIGIT |
| CN2 | JK39-40006A | CBF-HARNESS | 2P,350MM,WHT/ | 2P |
| CN1 | JK39-40007A | CBF-HARNESS | 8P,400MM,RED/ | 8P |
| | JK41-10504A | PCB-DISPLAY | ER-290, 9DIGIT | 9 DIGIT |
| PAD | JK73-10207A | RUBBER-PAD | ER-220N,SPONGE | PAD(T5.0) |
| UCN5812A F | 1003-001101 | IC-DISPLAY DRIVER | UCN5812AF,VFD DRIVER | |
| C1,C2 | 2202-000579 | C-CERAMIC,MLC-AXIAL | 100nF | |
| CN3 | 3711-000766 | CONNECTOR-HEADER | BOX,22P, | |

7-4 Turret PCB Assembly (c.f. 10-3 PCB diagram)



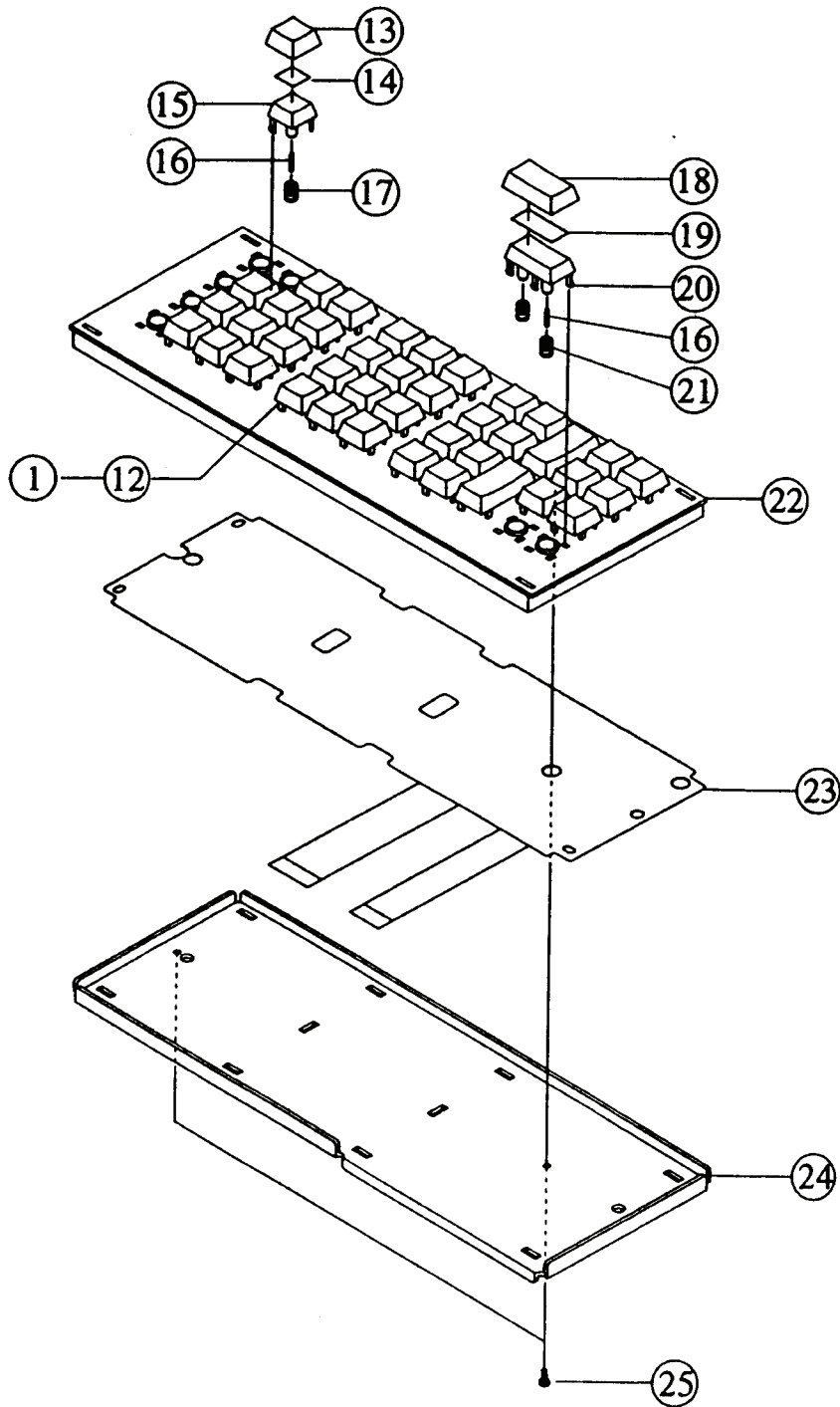
| Loc. No. | Code No. | Description | Specifications | Remarks |
|----------|-------------|--------------------------|----------------|---------------|
| | JK96-00205A | ASS'Y,TURRET-BODY | ER-350 | nonservicable |
| | JK97-50016A | ASS'Y-TURRET/ DISPLAY | ER-350,9DIGIT | |
| | JK07-10100A | VACCUM/TUBE-F.D | 9G,4.2V, | 9 DIGIT |
| | JK39-40002A | CBF-HARNESS | 22P,400MM,BLK | |
| | JK41-10002A | PCB-TURRET(9DIG) | ER-380, | 9 DIGIT |
| | JK73-10208A | RUBBER-PAD | ECR,SPONGE,BLK | PAD |

7-5 Mode Switch Assembly



| Loc. No. | Code No. | Description | Specifications | Remarks |
|----------|-------------|----------------------|---|--------------------------|
| | JK92-10058F | ASS'Y,COVER-MODE S/W | ER-350 | |
| | JK39-40517A | CBF-HARNESS | ER-290, FLAT,UL1007,300mm, 8color | No Core |
| | JK70-10004A | BRKT-MODE S/W | ER-380,SBHG | |
| | JK72-40934A | COVER-MODE S/W | ER-5100,AB | |
| | 3406-000116 | SWITCH-ROTARY | 12V,30mA,SP | |
| | 6002-000319 | SCREW-TAPPING | PH,M3,L8 | BRKT MODE+ MODE S/W |
| | 6002-000319 | SCREW-TAPPING | PH,M3,L8 | BRKT MODE+ COVER MODE |

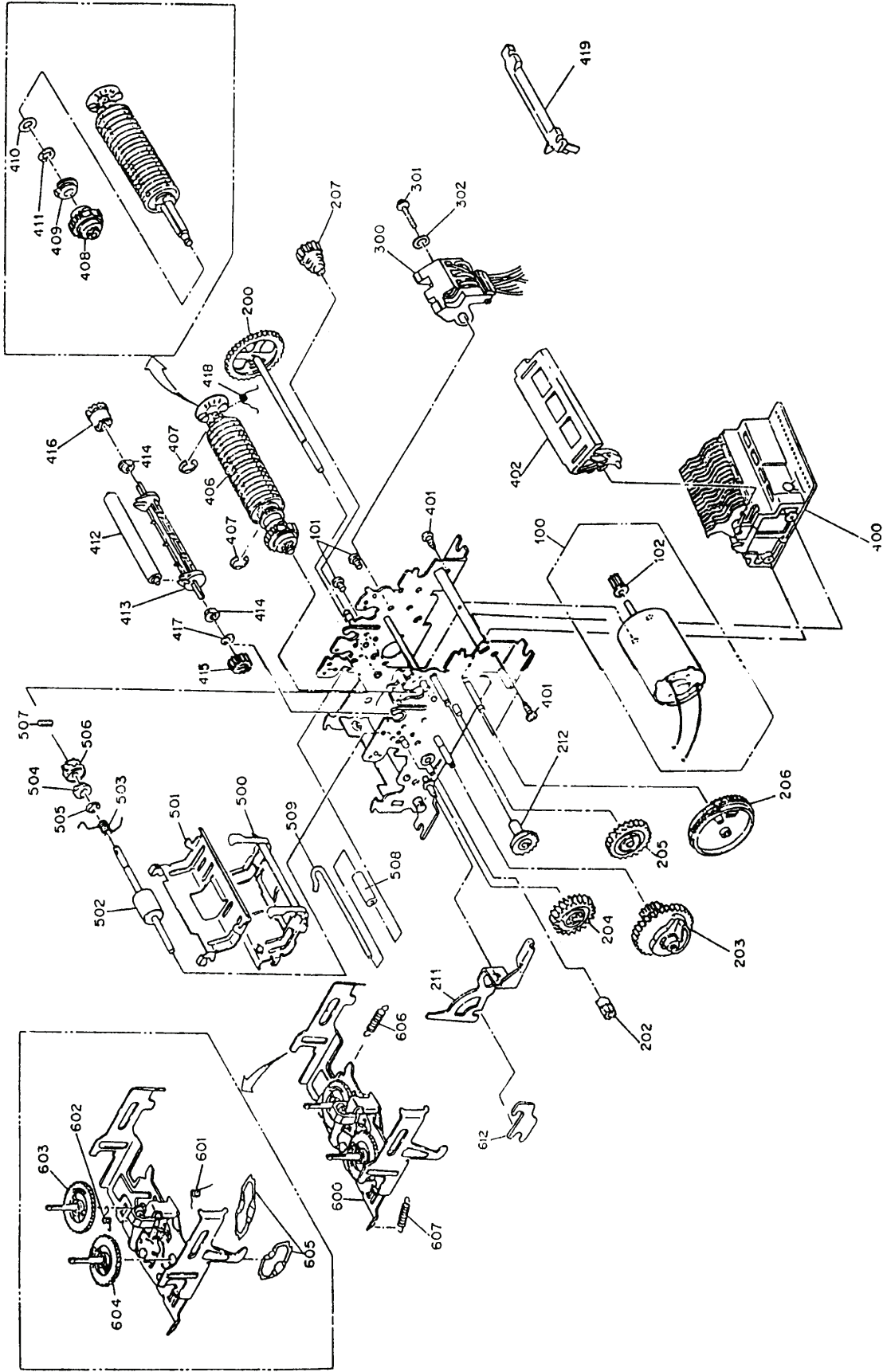
7-6 Keyboard Assembly Exploded View



7-7 Key Board Assembly

| NO | PART NUMBER | DESCRIPTION / SPECIFICATION | Q'TY | REMARKS |
|----|-------------|---------------------------------|------|---|
| 1 | JK81-10285B | COVER-KEY TOP, 1 : ABS | 1 | |
| 2 | JK81-10285C | COVER-KEY TOP, 2 : ABS | 1 | |
| 3 | JK81-10285D | COVER-KEY TOP, 3 : ABS | 1 | |
| 4 | JK81-10285E | COVER-KEY TOP, 4 : ABS | 1 | |
| 5 | JK81-10285F | COVER-KEY TOP, 5 : ABS | 1 | |
| 6 | JK81-10285G | COVER-KEY TOP, 6 : ABS | 1 | |
| 7 | JK81-10285H | COVER-KEY TOP, 7 : ABS | 1 | |
| 8 | JK81-10285J | COVER-KEY TOP, 8 : ABS | 1 | |
| 9 | JK81-10285K | COVER-KEY TOP, 9 : ABS | 1 | |
| 10 | JK81-10285L | COVER-KEY TOP, 0 : ABS | 1 | |
| 11 | JK81-10285M | COVER-KEY TOP, 00 : ABS | 1 | |
| 12 | JK81-10285N | COVER-KEY TOP, . : ABS | 1 | |
| 13 | JK81-10285P | KEY CAP, S : PC 1*1 | 1 | QUANTITY IS CHANGEABLE DEPEND-ING UPON BUYER MODEL |
| 14 | - | LABEL KEY TOP SET | 1 | |
| 15 | JK81-10285S | KEY TOP, S : ABS 1*1 | 1 | QUANTITY IS CHANGEABLE DEPEND-ING UPON BUYER MODEL |
| 16 | JK81-10286B | COIL SPRING:SUS CONTACT | 44 | " |
| 17 | JK81-10285T | COIL SPRING:SWPA RETURN 1*1U | 43 | " |
| 18 | JK81-10285Q | KEY CAP, L : PC 1*2 | 26 | " |
| 20 | JK81-10285R | KEY TOP, L : ABS 1*2 | 26 | " |
| 21 | JK81-10285T | COIL SPRING RETURN,1*2 | 2 | " |
| 22 | JK72-40103A | HOUSING : POM | 1 | |
| 23 | JK81-10285X | FPC ASS'Y | 1 | |
| 24 | JK70-10422A | FRAME : SECC T0.8 | 1 | |
| 25 | 6002-000114 | SCREW TP : M3x8(TAPPING) | 2 | |

7-8 Printer Assembly Exploded View



EXPLODED DIAGRAM FOR M-405R(01)

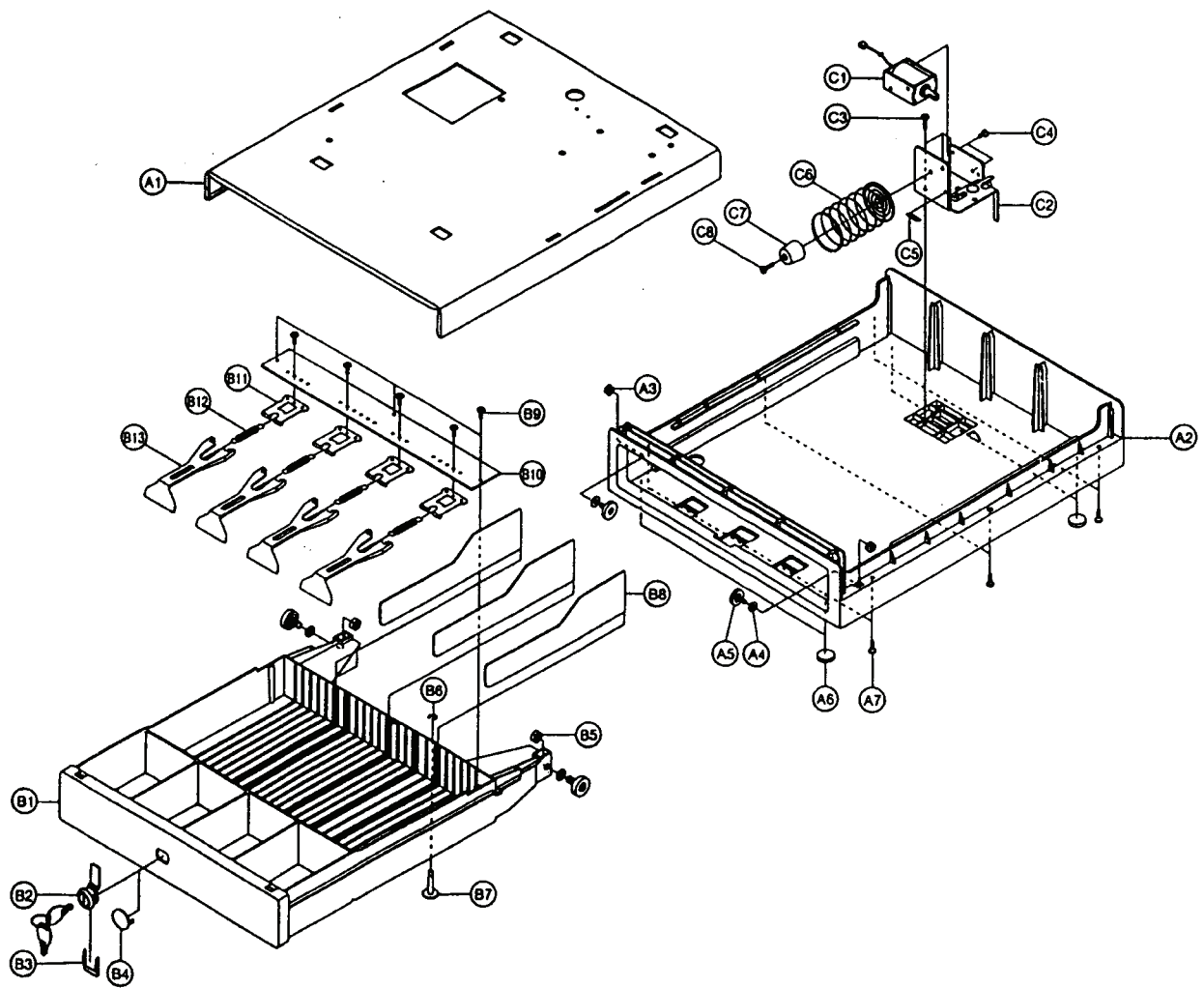
7-9 Printer Assembly

| Lo. No. | PART CODE | DESCRIPTION/SPECIFICATION | Q'ty | REMARK |
|---------|-------------|--|------|--------|
| 100 | JK81-10957A | MOTOR ASS'Y / DC2.1W | 1 | |
| 101 | JK81-10958A | C.B.SCREW / M3X3 | 1 | |
| 102 | JK81-10959A | FIRST REDUCTION GEAR | 1 | |
| 200 | JK81-10960A | SECOND REDUCTION GEAR ASS'Y M-400 | 1 | |
| 202 | JK81-10961A | THIRD REDUCTION GEAR | 1 | |
| 203 | JK81-10962A | CAM GEAR | 1 | |
| 204 | JK81-10963A | PRINT TRANSMISSION GEAR | 1 | |
| 205 | JK81-10964A | INTERMITTENT TRANSMISSION GEAR | 1 | |
| 206 | JK81-10965A | INTERMITTENT GEAR | 1 | |
| 207 | JK81-10966A | PAPER FEEDING SECOND TRANSMISSION GEAR | 1 | |
| 211 | JK81-10967A | RIBBON FEED DRIVING LEVER | 1 | |
| 212 | JK81-10968A | SELECTIVE TRANSMISSION GEAR | 1 | |
| 300 | JK81-10969A | TIMING SIGNAL DETECTOR ASS'Y A | 1 | |
| 301 | JK81-10970A | C.P. SCREW / M3X8 | 1 | |
| 302 | JK81-10971A | U-TYPE S.W / 3.2X0.3X7.3 | 1 | |
| 400 | JK81-10972A | CHARACTER SELECTIVE MAGNET UNIT | 1 | |
| 401 | JK81-10973A | C.T.B. SCREW / M3X8 | 1 | |
| 402 | JK81-10974A | RESET LEVER | 1 | |
| 406 | JK81-10975A | PRINT WHEEL ASS'Y | 1 | |
| 407 | JK81-10976A | RETAINING RING / TYPE-E(5X0.4) | 1 | |
| 408 | JK81-10977A | SELECTIVE GEAR | 1 | |
| 409 | JK81-10978A | PRINT WHEEL SHAFT HOLDER | 1 | |
| 410 | JK81-10979A | PLAIN WASHER / 6X0.7X12 | 1 | |
| 411 | JK81-10980A | LEAF SPRING / 6X0.1X10 | 1 | |
| 412 | JK81-10981A | PLATEN ASS'Y C M-440 | 1 | |
| 413 | JK81-10982A | PLATEN HOLDER ASS'Y | 1 | |
| 414 | JK81-10983A | CRANK SHAFT HOLDER | 1 | |
| 415 | JK81-10984A | PRINTING GEAR | 1 | |
| 416 | JK81-10985A | PAPER FEEDING FIRST TRANSMISSION GEAR | 1 | |
| 417 | JK81-10986A | LEAF SPRING | 1 | |
| 418 | JK81-10987A | SLIT MASK SPRING B | 1 | |
| 419 | JK81-10988A | PRINT WHEEL GUIDE C | 1 | |
| 500 | JK81-10989A | OUTER PAPER GUIDE ASS'Y | 1 | |
| 501 | JK81-10990A | INNER PAPER GUIDE | 1 | |
| 502 | JK81-10991A | PAPER FEEDING ROLLER ASS'Y | 1 | |
| 503 | JK81-10992A | PAPER FEEDING ROLLER SHAFT SPRING | 1 | |
| 504 | JK81-10993A | PAPER FEEDING SHAFT HOLDER B | 1 | |
| 505 | JK81-11053A | RETAINING RING / TYPE-E(2.3) | 1 | |

7 Exploded View and Parts List

| | | | | |
|-----|-------------|-------------------------------|---|--|
| 506 | JK81-11054A | PAPER FEEDING GEAR M-321 | 1 | |
| 507 | JK81-11041A | SPRING PIN / 1.5X6 | 1 | |
| 508 | JK81-11042A | PAPER HOLDER ROLLER | 1 | |
| 509 | JK81-11043A | PAPER HOLDING SPRING | 1 | |
| 600 | JK81-11044A | RIBBON UNIT | 1 | |
| 601 | JK81-11045A | RIBBON DETECTING LEVER SPRING | 1 | |
| 602 | JK81-11046A | RIBBON FEEDING PAWL SPRING | 1 | |
| 603 | JK81-11047A | SPOOL GEAR T | 1 | |
| 604 | JK81-11048A | SPOOL GEAR S | 1 | |
| 605 | JK81-11049A | SPOOL GEAR BRAKE SPRING | 1 | |
| 606 | JK81-11050A | RIBBON SHIFT SPRING | 1 | |
| 607 | JK81-11051A | RIBBON FEEDING LEVER SPRING | 1 | |
| 612 | JK81-11052A | RIBBON FRAME STOPPER | 1 | |

7-10 Drawer Assembly Exploded View



7-11 Drawer Assembly

7-11-1 Assembly Cover

| NO | PART NUMBER | DESCRIPTION/SPECIFICATION | Q'TY | REMARK |
|----|-------------|---------------------------|------|--------|
| A1 | JK70-10405A | IPR-HOUSING DRAWER | 1 | |
| A2 | JK72-40375A | PMO-COVER BOTTOM | 1 | |
| A3 | 6021-000225 | NUT-HEXAGON, M6 | 2 | |
| A4 | 6031-000243 | WASHER-PLAIN, M5 | 2 | |
| A5 | JK75-10386A | MEC-ROLLER | 2 | |
| A6 | JK61-40201A | FOOT | 4 | |
| A7 | 6002-000175 | SCREW, TAPPING, M3x8 | 6 | |

7-11-2 Assembly Tray

| NO | PART NUMBER | DESCRIPTION/SPECIFICATION | Q'TY | REMARK |
|-----|-------------|---------------------------------------|--------|--------|
| B1 | JK72-40242A | PMO-BILL COIN TRAY | 1 | |
| B2 | JK75-10389A | MEC-LOCK (WITH LOCK) | 1 | |
| B3 | JK70-10323A | IPR-PLATE CLIP (WITH LOCK) | 1 | |
| B4 | JK72-40241A | PMO-DRAWER BUSHING KEY (WITHOUT LOCK) | 1 | |
| B5 | 6021-000225 | NUT-HEXAGON, M6 | 2 | |
| B6 | 6044-000124 | RING-E; ID3, OD7, TO.6 | 1 | |
| B7 | JK70-40302A | ICT-SHAFT PIN | 1 | |
| B8 | JK72-40240A | PMO-BILL_COIN PARTITION | 2 or 3 | |
| B9 | 6002-000193 | SCREW, TAPPING, M3x6 | 3 | |
| B10 | JK70-10307A | IPR-PLATE HOLDER | 1 | |
| B11 | JK70-10314A | IPR-HOLDER LEVER | 3 or 4 | |
| B12 | 6107-000134 | SPRING-ES ; PI0.65, D4.35 | 3 or 4 | |
| B13 | JK72-60318A | LEVER PRESS:POM(BLACK) | 3 or 4 | |

7-11-3 Assembly Lock

| NO | PART NUMBER | DESCRIPTION/SPECIFICATION | Q'TY | REMARK |
|----|-------------|---------------------------|------|--------|
| C1 | JK33-10500A | SOLENOID-DC | 1 | |
| C2 | 811 390003A | BRKT-LOCK ASSY | 1 | |
| | JK70-10328A | LEVER LOCK | 1 | |
| | JK70-40309A | SHAFT-RIVET | 1 | |
| C3 | 6002-000201 | SCREW, TAPPING, M4x12 | 3 | |
| C4 | 6003-000157 | SCREW, TAPTITE, M2x5 | 2 | |
| C5 | 6107-000126 | SPRING-ES; PI0.35, D2.84 | 1 | |
| C6 | JK61-70101A | SPRING-PUSH | 1 | |
| C7 | JK73-60317A | RUBBER BUMPER | 1 | |
| C8 | 6001-000702 | SCREW, MACHINE, M4x15 | 1 | |