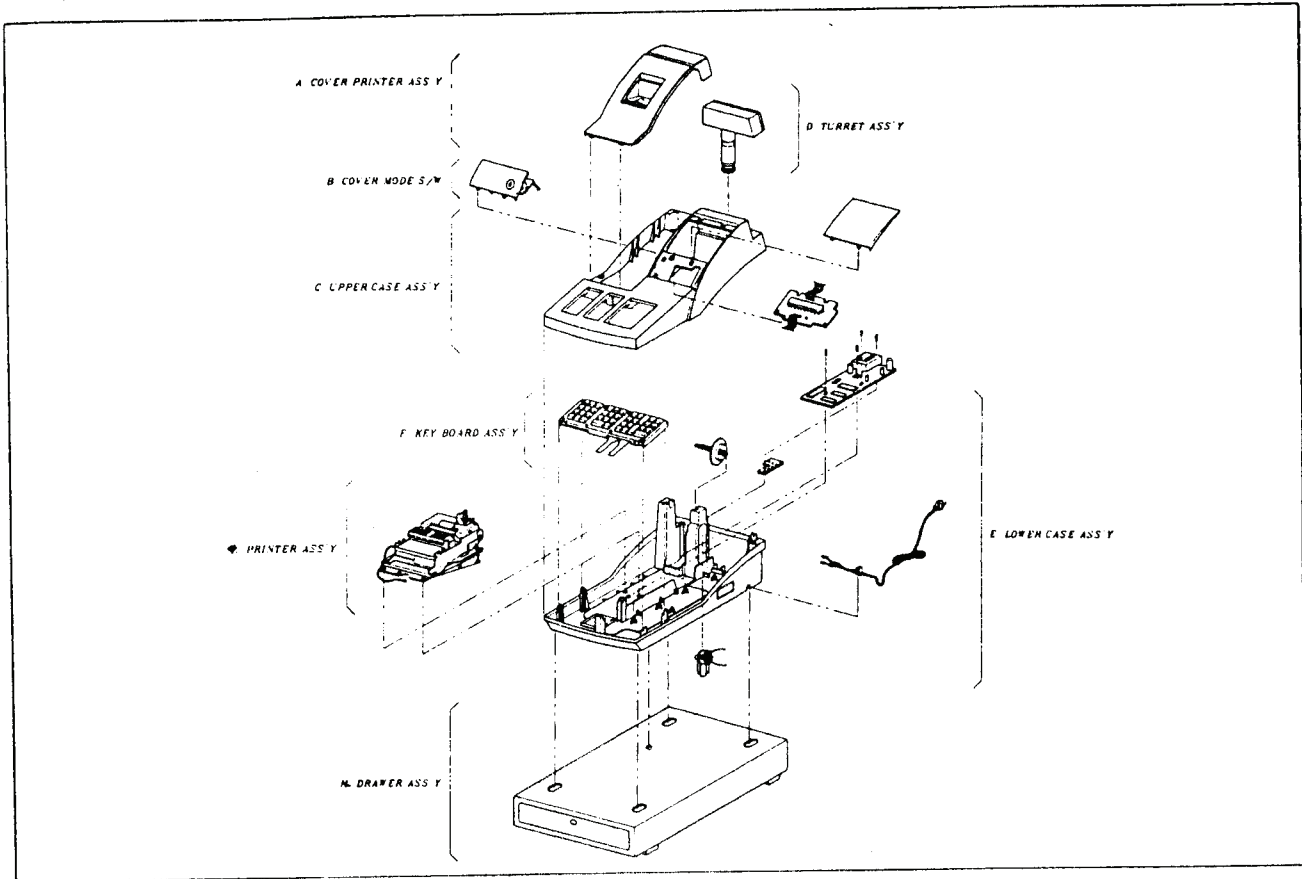


7 Exploded Views and Parts Lists

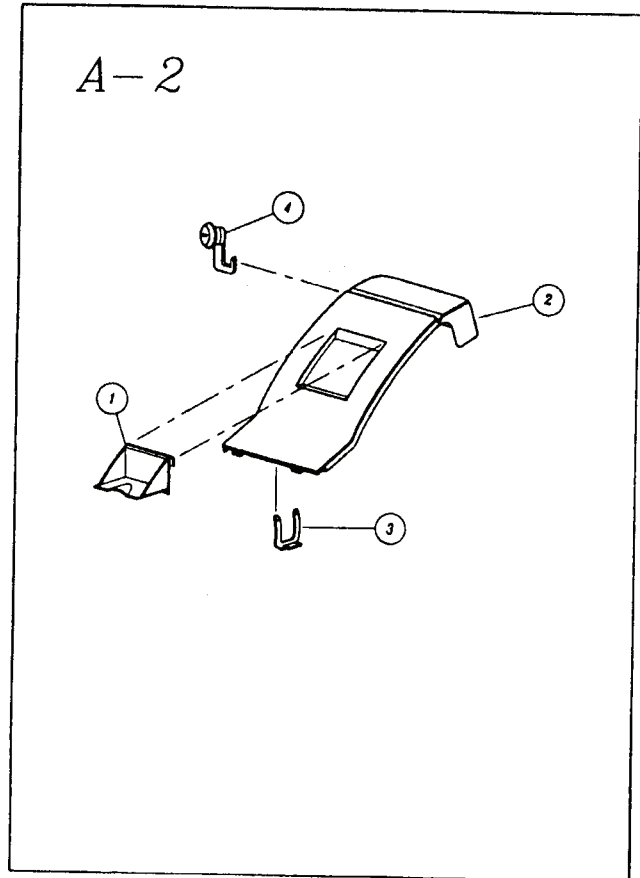
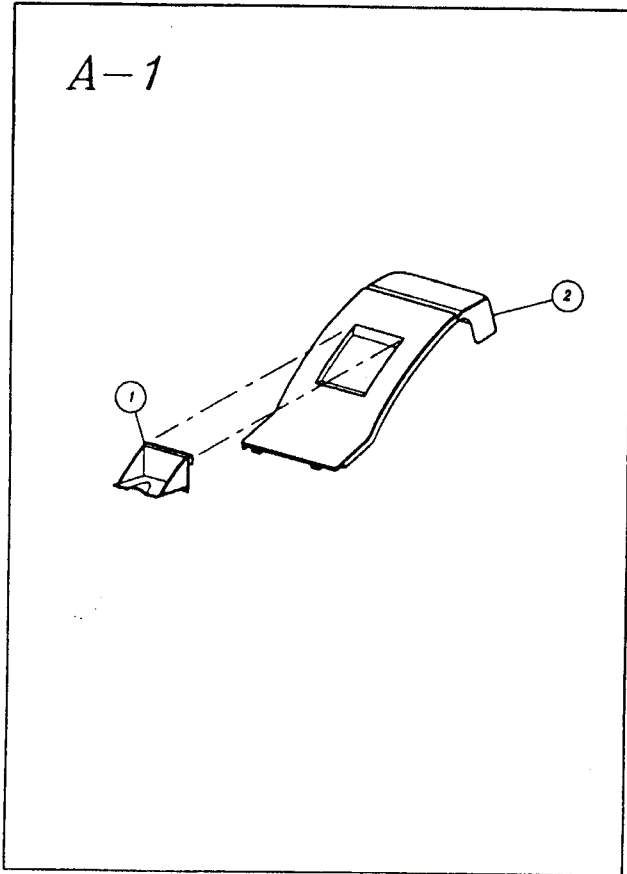
7-1 Assembly Exploded View



No.	Code No.	Description / Specification	Q'ty	Remark	Rank
A		COVER PRINTER ASS'Y	1		N
B		COVER MODE SWITCH ASS'Y	1		N
C		UPPER CASE ASS'Y	1		N
D		TURRET ASS'Y	1		N
E		LOWER CASE ASS'Y	1		N
F		KEY BOARD ASS'Y	1		Y
G		PRINTER ASS'YU	1		N
H		DRAWER ASS'Y	1		N

* RANK : Y = Possible item at service. N = Impossible item at service

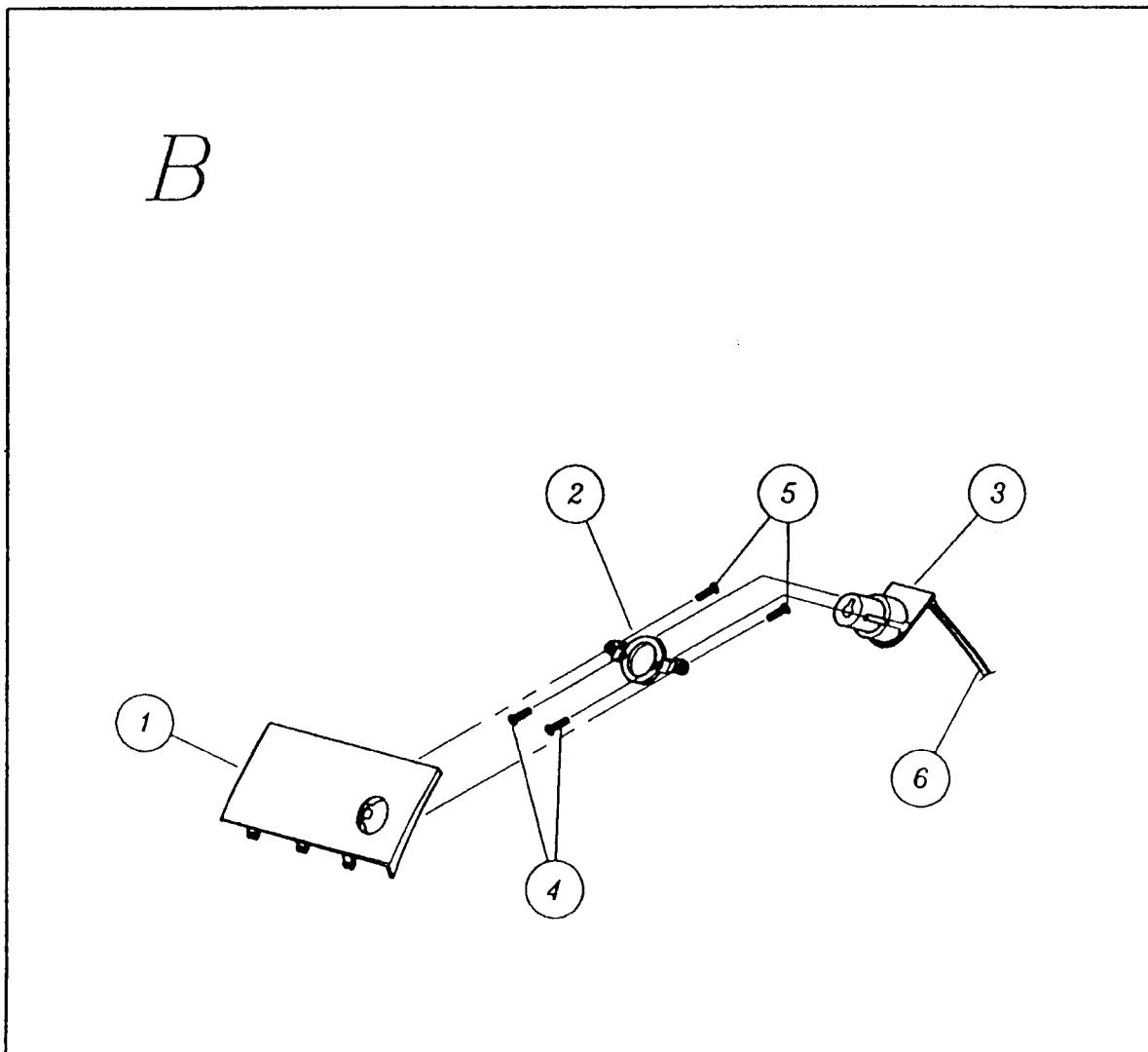
7-2 Cover Printer Assembly



(Cover Printer Assembly Parts List)

Loc. No.	Code No.	Description	Specification	Quality	Remarks
A-1-1	JK72-40204A	PMO-WINDOW JOURNAL	ER-350,PMMA,HB,TRP,T2	1	
A-1-2	JK72-40212A	PMO-COVER PRINTER	ER-350,ABS,IV16,V0,VH-0800D	1	
A-2-3	JK70-10323A	IPR-PLATE CLIP	ER-100,SWP,T0.5	1	
A-2-4	JK75-10391A	MEC-LOCK	SER-6500	1	

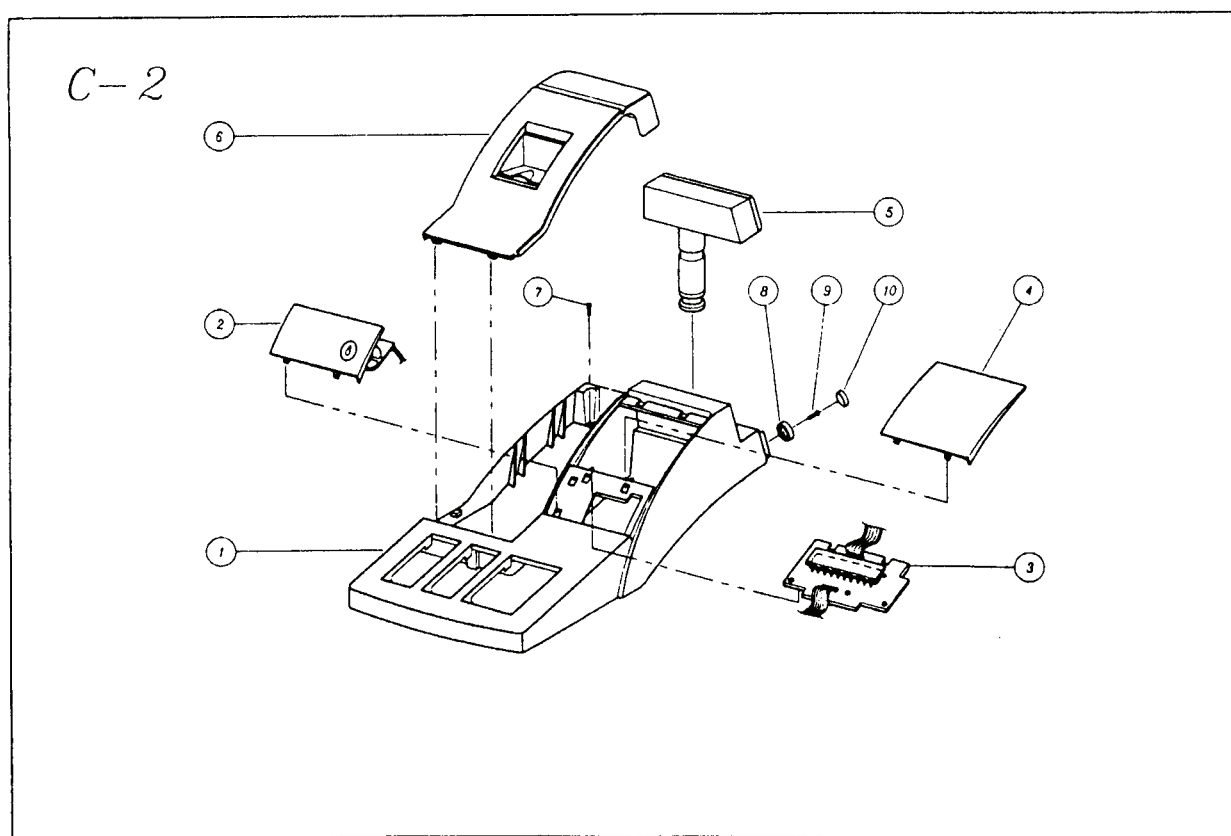
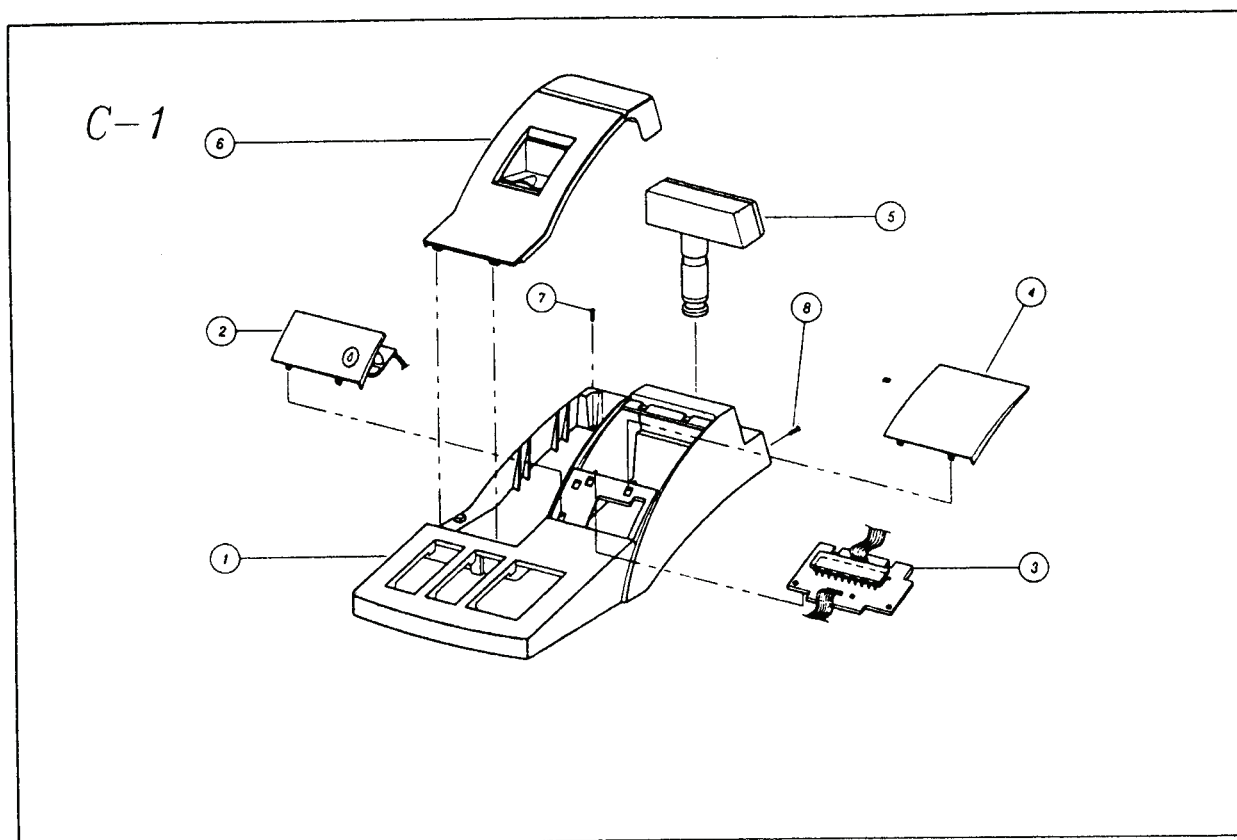
7-3 Cover Mode Switch Assembly



(Cover Mode Switch Assembly Parts List)

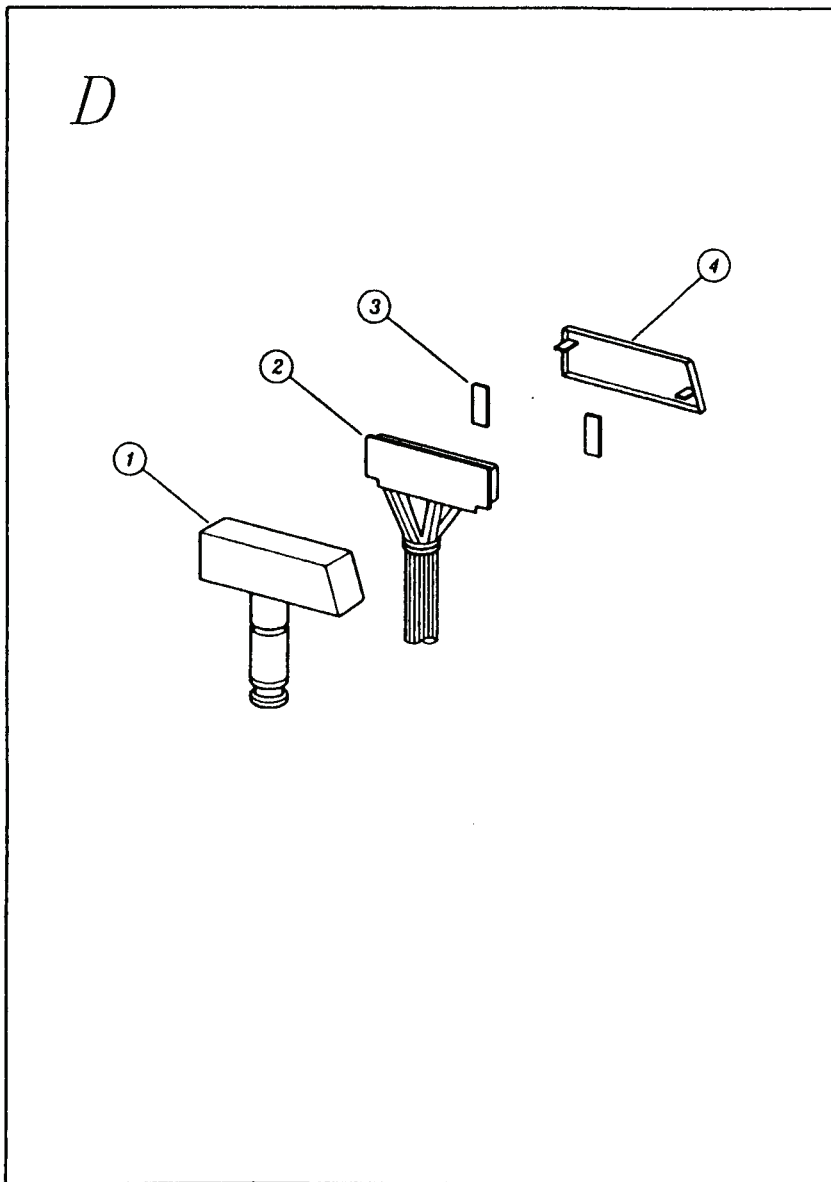
Loc. No.	Code No.	Description	Specification	Quality	Remarks
B-1	JK72-40207A	PMO-COVER MODE S/W	ER-350,ABS,IV16,V0,VH-0800D	1	ENGLISH
	JK72-40207B	PMO-COVER MODE S/W	ER-350F(RUSB),ABS,IV16,V0	1	RUSSIA
	JK72-40207C	PMO-COVER MODE S/W	ER-350F,ABS,IV16,V0,VH-0800D	1	ENGLISH
	JK72-40391A	PMO-COVER MODE S/W	ER-350F(DMC),ABS,IV16,V0	1	BRAZIL
	JK72-40393A	PMO-COVER MODE S/W	ER-350(SEP),ABS,IV16,V0	1	PORTUGAL
	JK72-40397A	PMO-COVER MODE S/W	ER-350F(SEKO),ABS,IV16,V0	1	UKRAINE
B-2	JK70-10004A	IPR-BRKT MODE S/W	ER-350,SBHG-1,T1.0	1	
B-3	3406-000116	SWITCH-ROTARY	ER-350,12V,30mA,SP9T,-	1	
B-4	6002-000319	SCREW-TAPPING	PH,+,2,M3,L8,ZPC(YEL),SM20C	2	
B-5	6002-000319	SCREW-TAPPING	PH,+,2,M3,L8,ZPC(YEL),SM20C	2	
B-6	JK39-40023A	CBF-HARNESS	ER-6500,PC,D/BLU,HB	1	

7-3 Upper Case Assembly



Loc. No.	Code No.	Description	Specification	Quality	Remarks
C-1-1	JK72-40213A	PMO-CASE UPPER	ER-350,ABS,V0,IV16,VH-0800D	1	
C-1-2	JK97-00129A	MEA-COVER MODE S/W	ER-350,BASIC,WORLD	1	
	JK97-00132A	MEA-COVER MODE S/W	ER-350F,-,RUSSIA	1	
	JK97-00130A	MEA-COVER MODE S/W	ER-350F,BASIC,WORLD	1	
	JK97-00141V	MEA-COVER MODE S/W	ER-350F,DMC,BRAZIL	1	
	JK97-00141Q	MEA-COVER MODE S/W	ER-350,SEP,PORTUGAL	1	
	JK97-00142K	MEA-COVER MODE S/W	ER-350F,SEKO,UKRAINE	1	
C-1-3	JK96-00195A	ELA-DISPLAY	ER-350,BASIC,WORLD,10 DIGIT	1	
	JK96-00204A	ELA-DISPLAY	ER-350F,-,RUSSIA,9 DIGIT	1	
C-1-4	JK72-40211A	PMO-WINDOW DISPLAY	ER-350,PC,121R,BLK(C21029)	1	9 DIGIT,ENGLISH
	JK72-40211B	PMO-WINDOW DISPLAY	ER-350,PC,121R,BLK(C21029)	1	10 DIGIT,ENGLISH
	JK72-40211C	PMO-WINDOW DISPLAY	ER-350F,PC,121R,BLK(C21029)	1	9 DIGIT,RUSSIAN
	JK72-40390A	PMO-WINDOW DISPLAY	ER-350,PC,121R,BLK(C21029)	1	10 DIGIT,PORTUGUESE
	JK72-40901A	PMO-WINDOW DISPLAY	ER-350,PC,121R,BLK(C21029)	1	10 DIGIT,USA
	JK72-40902A	PMO-WINDOW DISPLAY	ER-350F,PC,121R,BLK(C21029)	1	10 DIGIT,POLISH
	JK72-40911A	PMO-WINDOW DISPLAY	ER-350F,PC,121R,BLK(C21029)	1	10 DIGIT,SPANISH
C-1-5	JK96-00134A	ELA-TURRET	ER-350,BASIC,WORLD,10 DIGIT	1	
	JK96-00144A	ELA-TURRET	ER-350F,-,RUSSIA,9 DIGIT	1	
C-1-6	JK97-00103A	MEA-COVER PRINTER	ER-350,BASIC,WORLD	1	SAMSUNG
C-1-7	6002-000174	SCREW-TAPPING	PWH,+,2,M3,L10,ZPC(YEL),SM20C	1	
C-1-8	6001-000367	SCREW-MACHINE	FH,+,M4,L10,NI PLT,SM20C,-	1	
C-2-1	JK72-40213B	PMO-CASE UPPER	ER-350F,ABS,V0,IV16	1	ER-350F/350PF
C-2-8	JK70-40305A	ICT-SHAFT MOLDING	ER-350F,SUM24L,D19,-	1	ER-350F/350PF
C-2-9	6001-000367	SCREW-MACHINE	FH,+,M4,L10,NI PLT,SM20C,-	1	ER-350F/350PF
C-2-10	JK71-40301B	NDC-LEAD CAP	ER-350F,PB100%,D9XL4	1	ER-350F/350PF

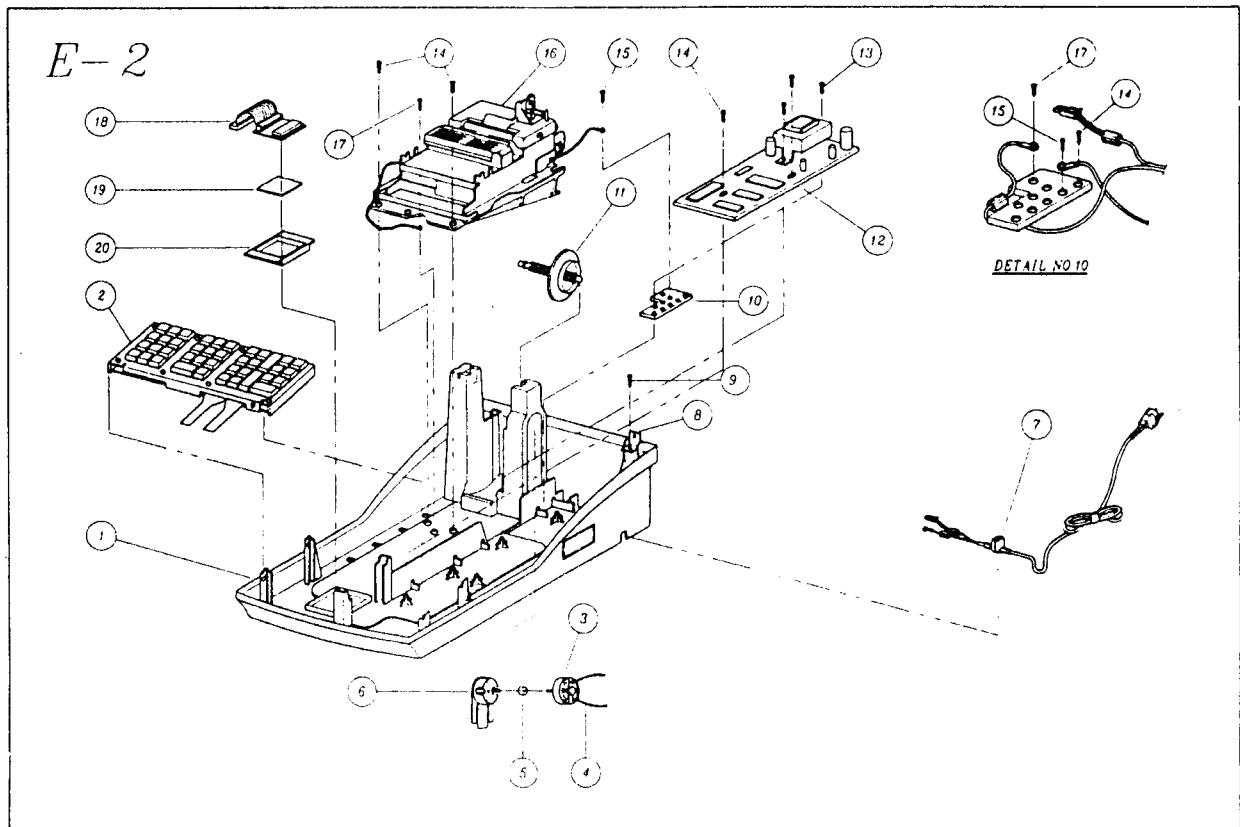
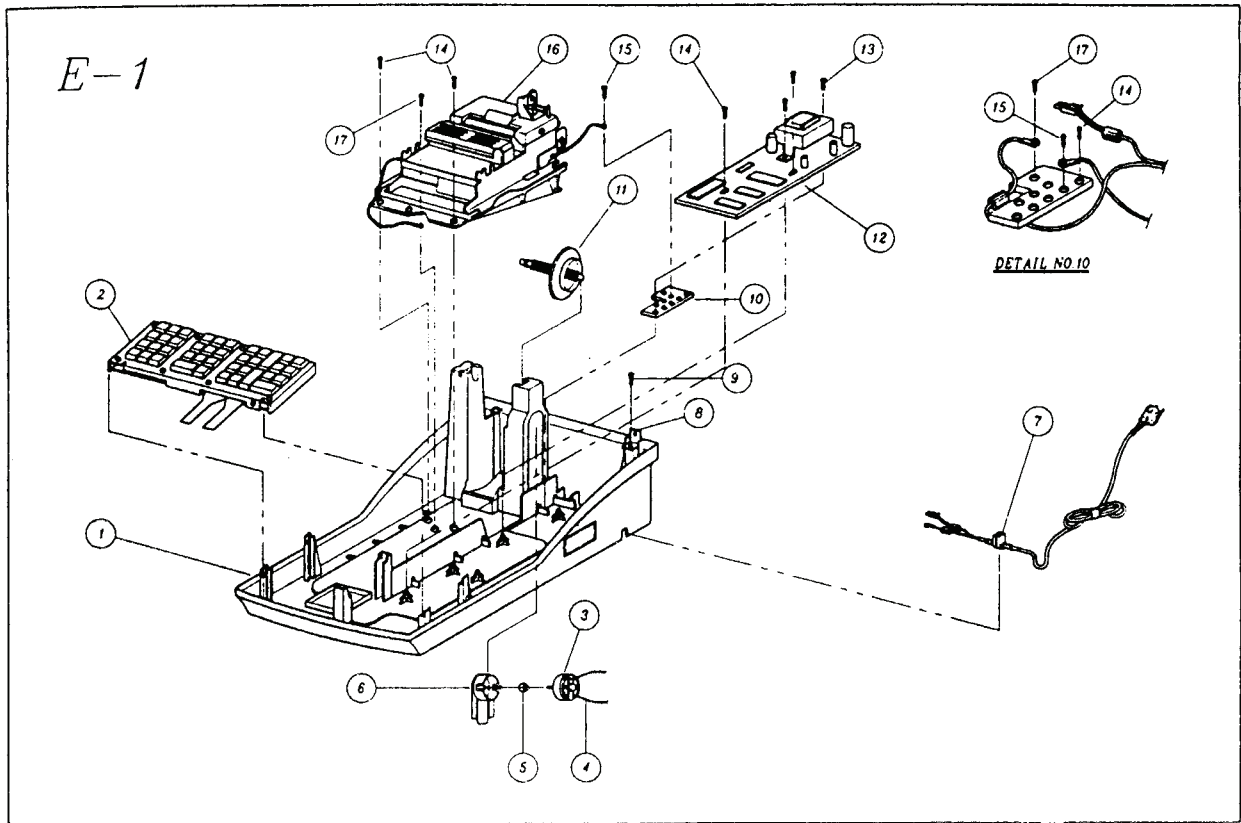
7-4 Turret Assembly

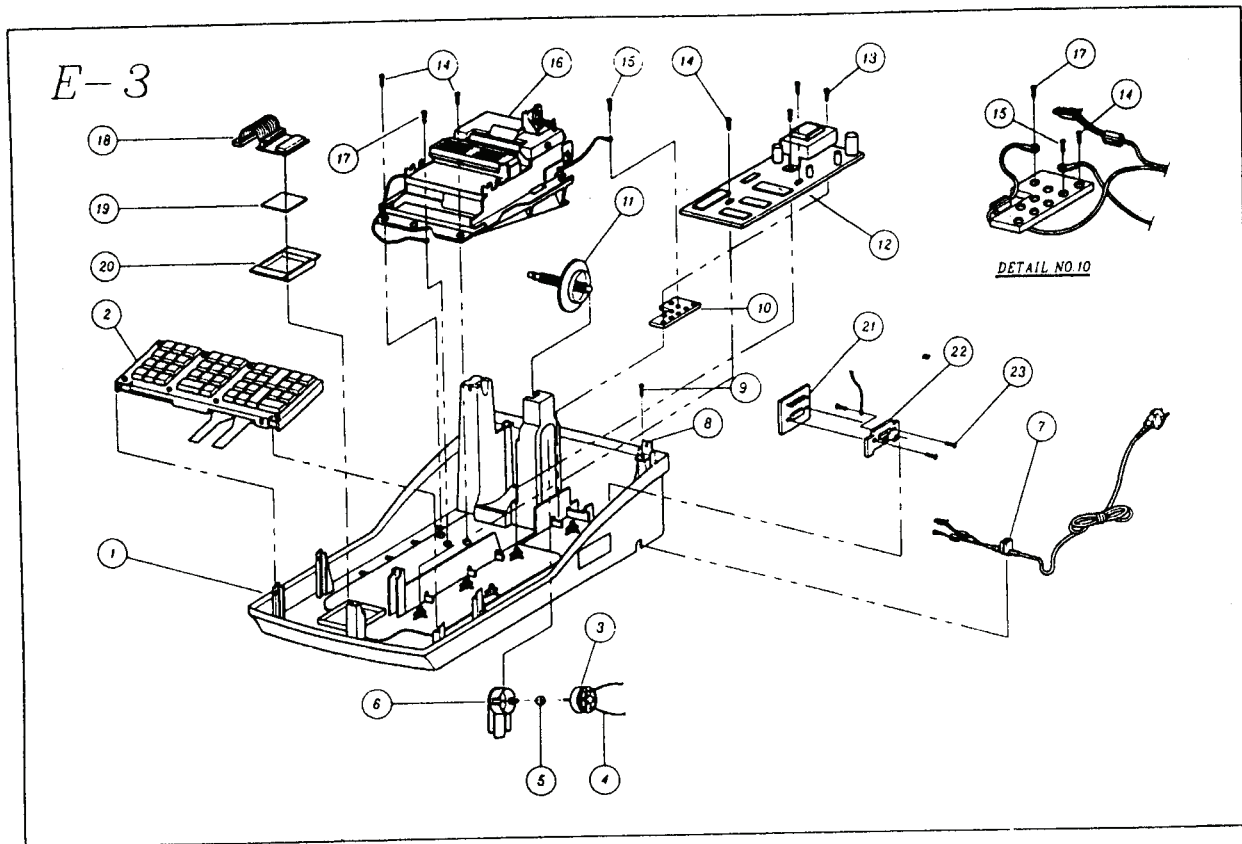


(Turret Assembly Parts List)

Loc. No	Code No.	Description	Specification	Quality	Remarks
D-1	JK72-40210A	PMO-TURRET BODY	ER-350,ABS,V0,IV16	1	
D-2	JK96-00196A	ELA-TURRET	ER-350,BASIC,WORLD,10 DIGIT	1	
	JK96-00205A	ELA-TURRET	ER-350F,-,RUSSIA,9 DIGIT	1	
D-3	JK73-10202A	RPR-PAD TURRET	ECR,SPONGE,-,BLK	2	
D-4	JK72-40209B	PMO-WINDOW TURRET	ER-350,PC,121R,BLK(C21029)	1	

7-5 Lower Case Assembly





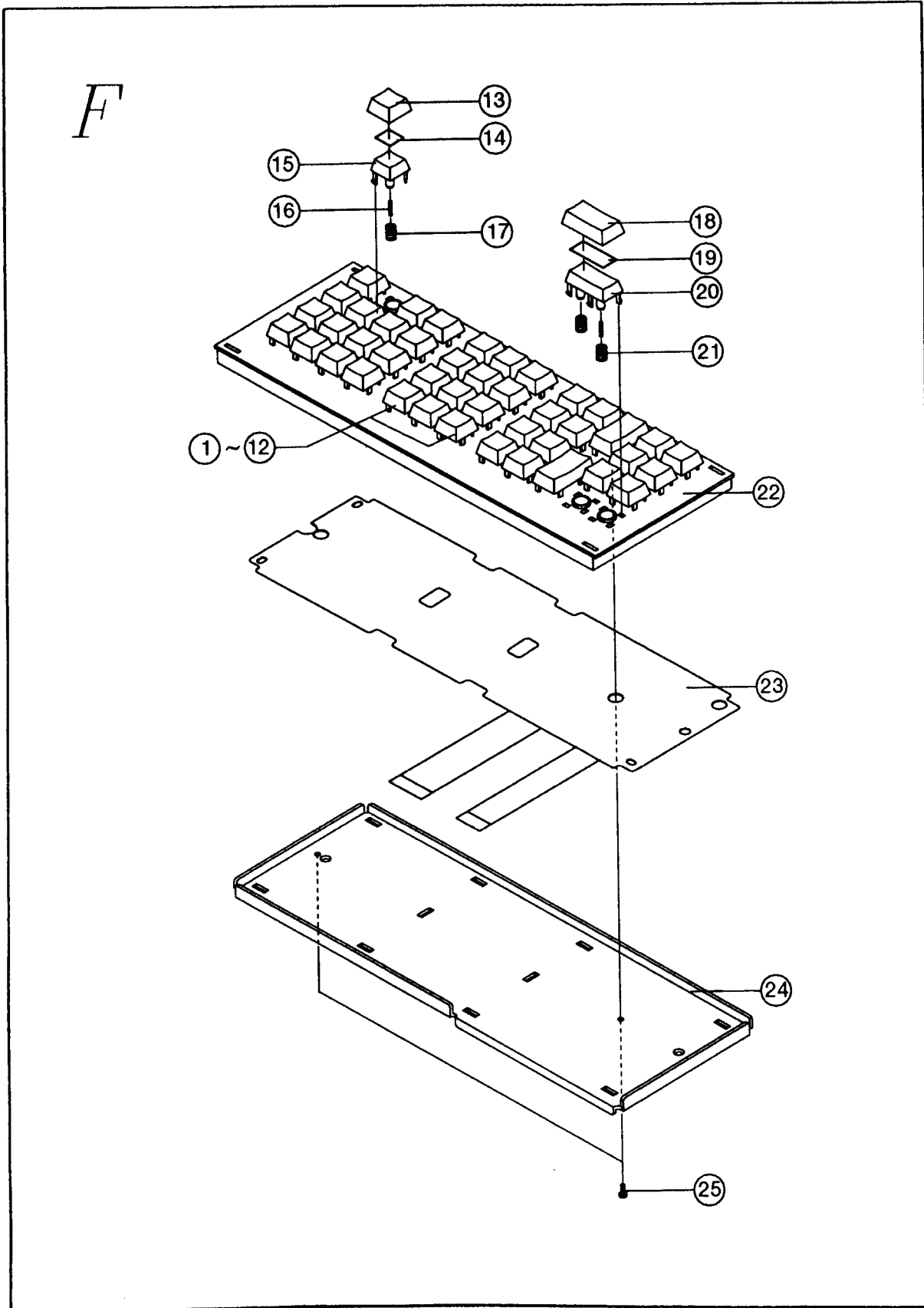
(Lower Case Assembly Parts List)

Loc. No.	Code No.	Description	Specification	Quality	Remarks
E-1-1	JK72-40214A	PMO-CASE LOWER	ER-350,ABS,V0,IV16	1	
E-1-2	JK59-10002R	UNIT-KEYBOARD	ER-350F,DISMAC,44KEY,MEMBRANE	1	ER-350F,BRAZIL
	JK59-10002W	UNIT-KEYBOARD	ER-350,SEP,44KEY,MEMBRANE	1	ER-350,PROTUGAL
	JK59-10002X	UNIT-KEYBOARD	ER-350F,SEKO,44KEY,MEMBRANE	1	ER-350F,UKRAINE
	JK59-10002Y	UNIT-KEYBOARD	ER-350,BASIC,44KEY,MEMBRANE	1	ER-350/350F,ENGLISH

7 Exploded Views and Parts List

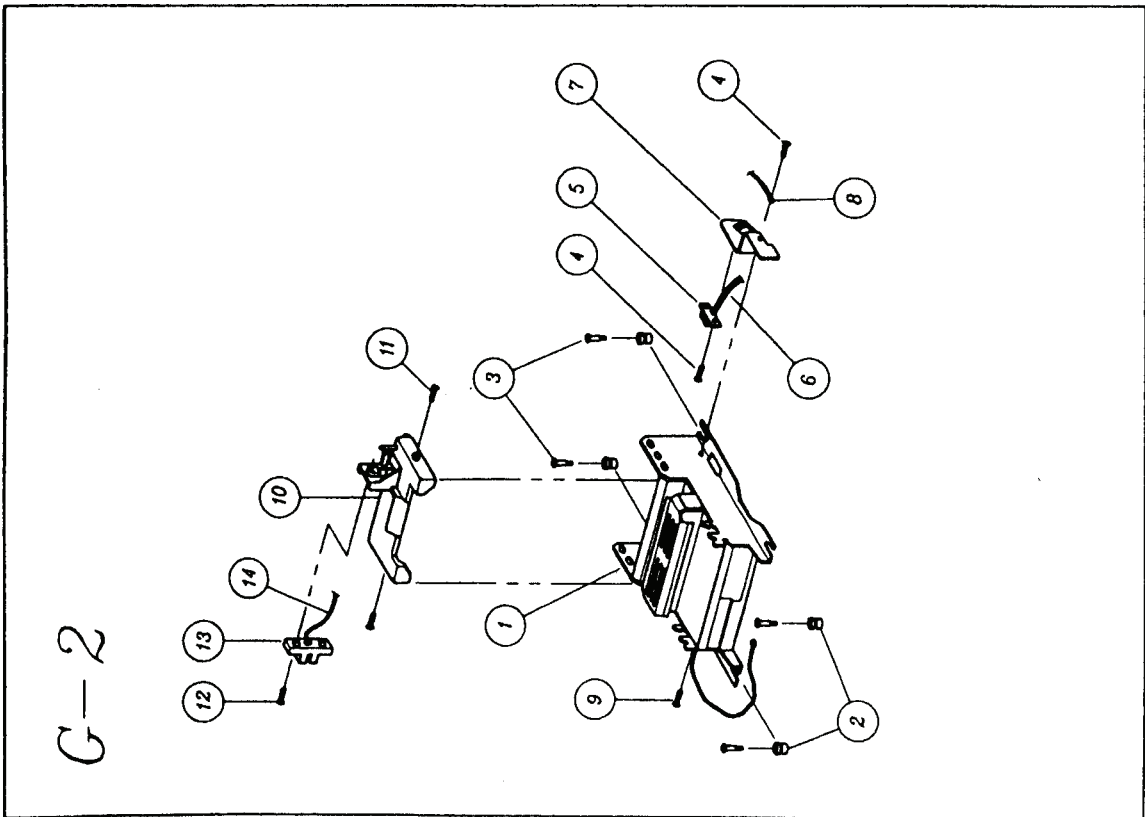
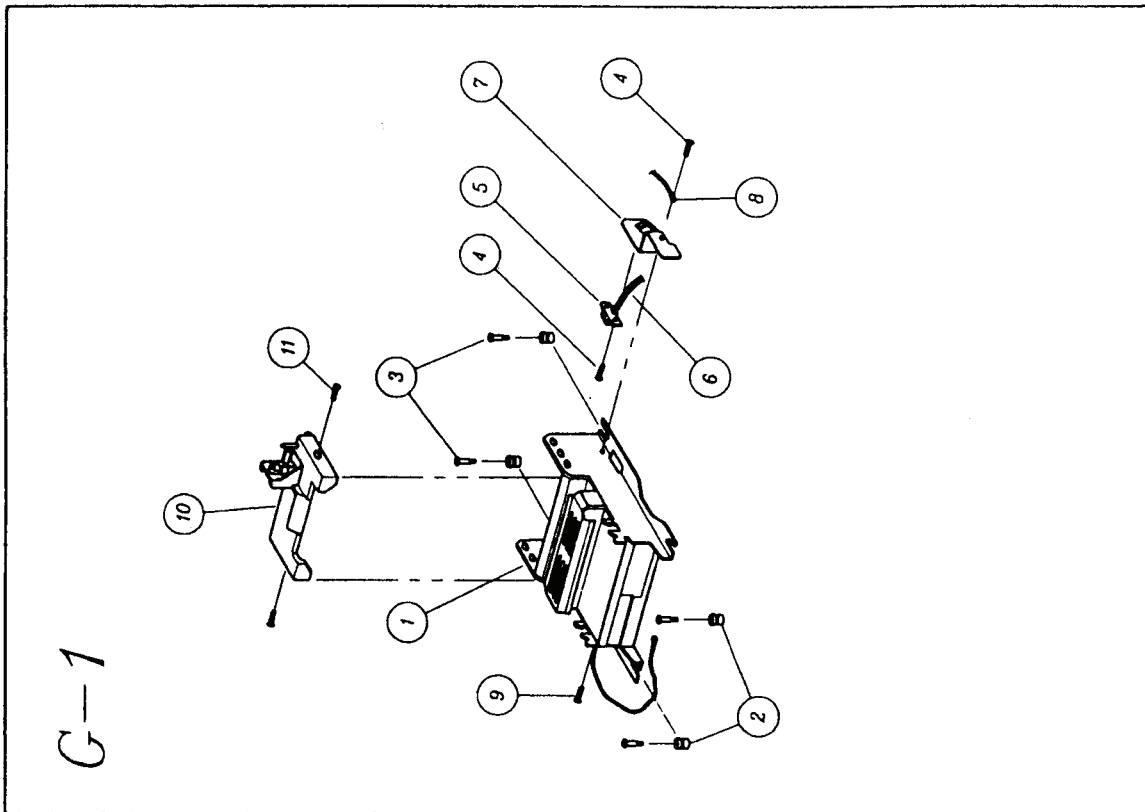
	JK59-10002Z	UNIT-KEYBOARD	ER-350F,RUSB,44KEY,MEMBRANE	1	ER-250RF,RUSSIA
	JK59-10003A	UNIT-KEYBOARD	ER-350,MUL,44KEY,MEMBRANE	1	ER-350,GERMANY
	JK59-10003B	UNIT-KEYBOARD	ER-350F,ASUNG,44KEY,MEMBRANE	1	ER-350F,GREECE
	JK59-10512A	UNIT-KEYBOARD	ER-350,CRS,44KEY,MEMBRANE	1	ER-350,USA
	JK59-10513A	UNIT-KEYBOARD	ER-350,HISEN,44KEY,MEMBRANE	1	ER-350,CHINA
	JK59-10514A	UNIT-KEYBOARD	ER-350F,SEPOL,44KEY,MEMBRANE	1	ER-350F,POLAND
	JK59-10515A	UNIT-KEYBOARD	ER-350F,SEM,44KEY,MEMBRANE	1	ER-350F,MEXICO
	JK59-10518A	UNIT-KEYBOARD	ER-350F,ASPA,44KEY,MEMBRANE	1	ER-350F,PANAMA
E-1-3	3101-001071	MOTOR-DC	ER-350,3270RPM,16g/cm,9V	1	
E-1-4	JK39-40004A	CBF-HARNESS	ER-350,-,UL1007,200mm,YEL/BLU	1	
E-1-5	JK73-30200A	RCT-MOTOR	ER-100,URETAN,-,BLK	1	
E-1-6	JK72-40206A	PMO-HOLDER MOTOR	ER-350,ABS,V0,IV16	1	
E-1-7	JK39-10501A	CBF-POWER/CORD	ATTACH,EUROPE,250V/10A,IVORY	1	EUROPE
	JK39-10002A	CBF-POWER/CORD	ATTACH,OP-16,250V/7.5V,IVORY	1	CHINA
	JK39-10003A	CBF-POWER/CORD	ATTACH,OP-16,250V/7.5V,IVORY	1	USA
	JK39-10008A	CBF-POWER/CORD	ATTACH,UK,250V/10A,IVORY	1	UK
	JK39-10303D	CBF-POWER/CORD	ATTACH,OP-16,250V/7.5V,IVORY	1	NO PLUG
E-1-8	JK70-10002A	IPR-BRKT CASING	SER-6500,SBHG-1,T1.0	1	
E-1-9	6002-000171	SCREW-TAPPING	PH,+,2S,M4,L10,ZPC(YEL),SM20C	1	
E-1-10	JK70-10001A	IPR-PLATE GROUND	ER-350,SBHG-1,T1.2	1	
E-1-11	JK72-40215A	PMO-PULLY WINDING	ER-350,ABS,V0,BLK	1	
E-1-12	JK92-00104A	PBA-MAIN BOARD	ER-350F,-,WORLD,230V/50Hz	1	ER-350F
	JK92-00124A	PBA-MAIN BOARD	ER-350,-,WORLD,230V/50Hz	1	ER-350
	JK92-00128L	PBA-MAIN BOARD	ER-350F,-,230V/50Hz,ALL-CLEAR	1	ER-250RF,RUSSIA
	JK92-00128V	PBA-MAIN BOARD	ER-350F,-,120V/60Hz,SKD	1	ER-350F,BRAZIL
	JK92-00129H	PBA-MAIN BOARD	ER-350F,-,230V/50Hz,FUSE-TYPE	1	ER-350F,POLAND
	JK92-00129J	PBA-MAIN BOARD	ER-350F,-,120V/60Hz	1	ER-350F,MEXICO
	JK92-00901A	PBA-MAIN BOARD	ER-350,-,120V/60Hz,UL/CSA	1	ER-350,USA
E-1-13	6003-000014	SCREW-TAPTITE	PWH,+,S,M5,L14,ZPC(YEL),SWRCH18	2	
E-1-14	6002-000174	SCREW-TAPPING	PWH,+,2,M3,L10,ZPC(YEL),SM20C	5	
E-1-15	6006-000196	SCREW-ASS'Y TAPT	WT,RH,+,M3,L8,ZPC(YEL),SWRCH18	2	
E-1-16	JK72-40217A	PMO-CASE PRINTER	ER-350,ABS,V0,IV16	1	
E-1-17	6003-000221	SCREW-TAPTITE	PWH,+,S,M4,L8,ZPC(YEL),SWRCH18	2	
E-2-18	JK92-00131A	PBA-FISCAL BOARD	ER-350F,-,WORLD,512K	1	
	JK92-00130G	PBA-FISCAL BOARD	ER-350F,-,WORLD,1M	1	
E-2-19	JK73-10207D	RPR-PAD	ER-250F,-,SPONGE,BLK	1	
E-2-20	JK72-40205A	PMO-CASE FISCAL	ER-350,ABS,V0,IV16	1	
E-3-21	JK92-00130A	PBA-I/F BOARD	ER-350,-,WORLD	1	
E-3-22	JK70-10003A	IPR-BRKT PORT	ER-350,SBHG-1,T1.0	1	
E-3-23	-	BOLT-SCREW		2	

7-6 Key Board Assembly



Lo.No.	Code No.	Description	Specification	Q'ty	Remarks
F-1	JK81-10933A	AS-KEY/TOP, 1	ER-350, 1, ABS, LOW PROFILE	1	
F-2	JK81-10934A	AS-KEY/TOP, 2	ER-350, 2, ABS, LOW PROFILE	1	
F-3	JK81-10935A	AS-KEY/TOP, 3	ER-350, 3, ABS, LOW PROFILE	1	
F-4	JK81-10936A	AS-KEY/TOP, 4	ER-350, 4, ABS, LOW PROFILE	1	
F-5	JK81-10937A	AS-KEY/TOP, 5	ER-350, 5, ABS, LOW PROFILE	1	
F-6	JK81-10938A	AS-KEY/TOP, 6	ER-350, 6, ABS, LOW PROFILE	1	
F-7	JK81-10939A	AS-KEY/TOP, 7	ER-350, 7, ABS, LOW PROFILE	1	
F-8	JK81-10940A	AS-KEY/TOP, 8	ER-350, 8, ABS, LOW PROFILE	1	
F-9	JK81-10941A	AS-KEY/TOP, 9	ER-350, 9, ABS, LOW PROFILE	1	
F-10	JK81-10942A	AS-KEY/TOP, 0	ER-350, 0, ABS, LOW PROFILE	1	
F-11	JK81-10943A	AS-KEY/TOP, 00	ER-350, 00, ABS, LOW PROFILE	1	
F-12	JK81-10944A	AS-KEY/TOP, .	ER-350, ., ABS, LOW PROFILE	1	
F-13	JK81-10945A	AS-KEY/CAP, S	ER-350, -, PC, LOW PROFILE, 1*1	26	
F-14	JK81-10917A	AS-KBD LABEL KIT	ER-350F, -, GREECE	1	ER-350F, GREECE
F-19	JK81-10917B	AS-KBD LABEL KIT	ER-350F, -, BRAZIL	1	ER-350F, BRAZIL
	JK81-10917C	AS-KBD LABEL KIT	ER-350, -, PORTUGAL	1	ER-350, PORTUGAL
	JK81-10917D	AS-KBD LABEL KIT	ER-350F, -, UKRAINE	1	ER-350F, UKRAINE
	JK81-10917E	AS-KBD LABEL KIT	ER-250RF, -, RUSSIA	1	ER-250RF, RUSSIA
	JK81-10917F	AS-KBD LABEL KIT	ER-350, -, USA	1	ER-350, USA
	JK81-10917G	AS-KBD LABEL KIT	ER-350, -, CHINA	1	ER-350, CHINA
	JK81-10917H	AS-KBD LABEL KIT	ER-350F, -, POLAND	1	ER-350F, POLAND
	JK81-10917J	AS-KBD LABEL KIT	ER-350F, -, MEXICO	1	ER-350F, MEXICO
	JK81-10917K	AS-KBD LABEL KIT	ER-350F, -, PANAMA	1	ER-350F, PANAMA
	JK81-10918A	AS-KBD LABEL KIT	ER-350, -, GERMANY	1	ER-350, GERMANY
	JK81-10929A	AS-KBD LABEL KIT		1	ER-350/350F, ENGLISH
F-15	JK81-10947A	AS-KEY/TOP, S	ER-350, -, ABS, LOW PROFILE, 1*1	26	
F-16	JK81-10286B	AS-SPRING CONTACT	SUS CONTACT, 601KAS-001-01	41	
F-17	JK81-10285T	AS-SPRING RETURN	ER-350, LOW PROFILE, 601KAS	41	
F-18	JK81-10946A	AS-KEY/CAP, L	ER-350, -, PC, LOW PROFILE, 1*2	3	
F-20	JK81-10948A	AS-KEY/TOP, L	ER-350, -, ABS, LOW PROFILE, 1*2	3	
F-21	JK81-10285T	AS-SPRING RETURN	ER-350, LOW PROFILE, 601KAS	41	
F-22	JK72-40103A	PMO-HOUSING KBD	ER-350, ABS, V0, BLK	1	
F-23	JK81-10949A	AS-FPC ASSY	ER-350, -, LOW PROFILE	1	
F-24	JK70-10422A	IPR-FRAME KBD	ER-350, SECC, T0.8	1	
F-25	6002-000114	SCREW-TAPPING	BH, +, 2S, M3, L8, ZPC(YEL), SM20C	2	

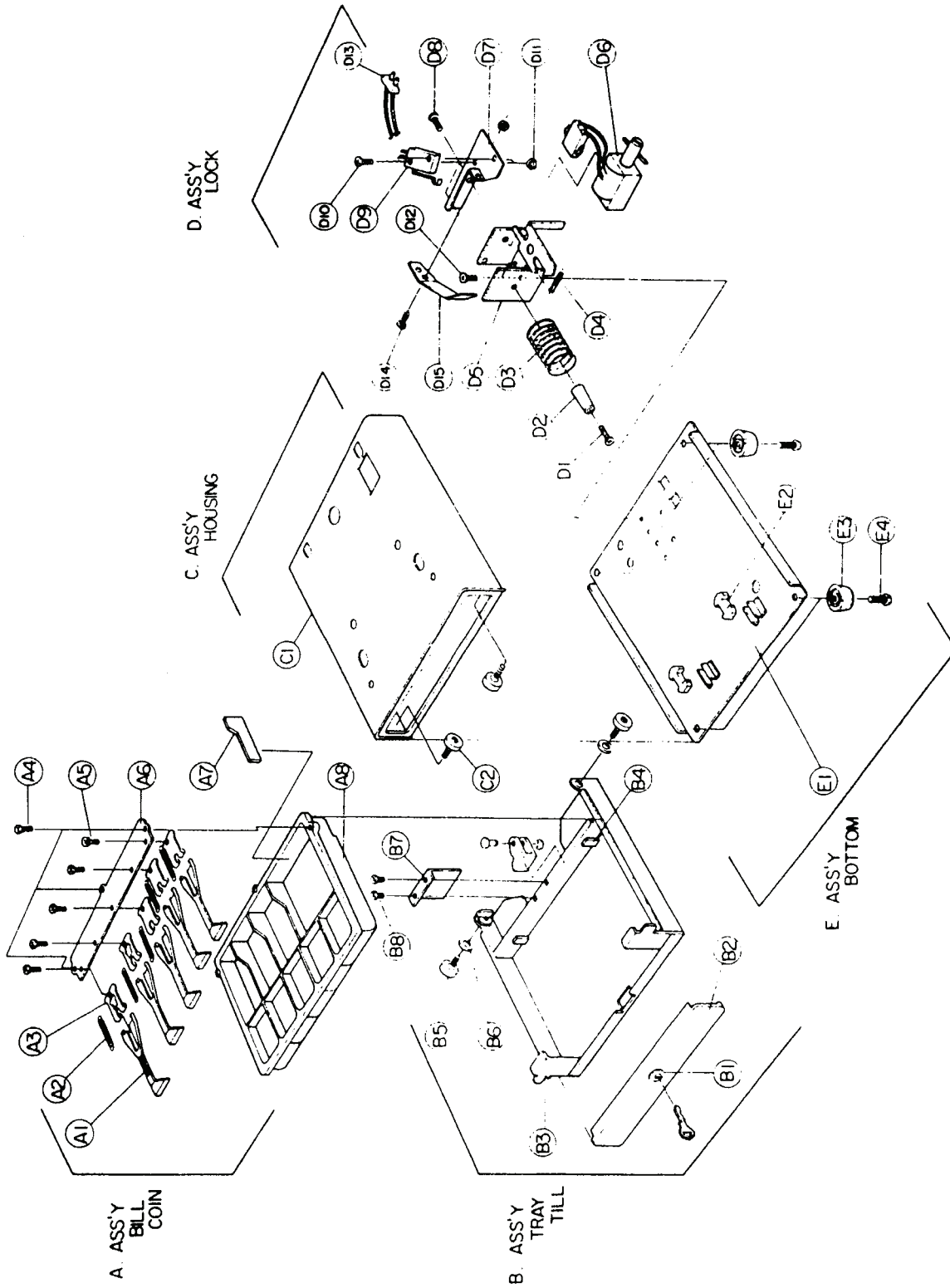
7-7 Printer Assembly



Loc. No.	Code No.	Description	Specification	Quantity	Remarks
G-1-1	JK59-10507A	UNIT-PRINTER	ER-350,ERP-200N,DOT	1	
G-1-2	JK73-40201A	RMO-PRINTER	ER-4615,NR,BLK,50HB,ID4*OD12*H15	4	
G-1-3	6002-000209	SCREW-TAPPING	RWH,+2,M3,L17.5,ZPC(YEL),SWRC	4	
G-1-4	6006-000196	SCREW-ASS'Y TAPT	WT,RH,+M3,L8,ZPC(YEL),SWRCH18	1	
G-1-5	0604-000157	PHOTO-INTERRUPTER	ER-350F,TR	1	
G-1-6	JK39-40003A	CBF-HARNESS	ER-350,-,UL1007,400MM,RED/ORG	1	
G-1-7	JK70-10012A	IPR-BRKT SENSOR	ER-350,SECC,T1.2	1	
G-1-8	JK39-40011A	CBF-HARNESS	ER-350,-,UL1015,250MM,GRN/YEL	1	
G-1-9	6006-000196	SCREW-ASS'Y TAPT	WT,RH,+M3,L8,ZPC(YEL),SWRCH18	1	
G-1-10	JK72-40217A	PMO-CASE PRINTER	ER-350,ABS,V0,IV16	1	
G-1-11	6006-000196	SCREW-ASS'Y TAPT	WT,RH,+M3,L8,ZPC(YEL),SWRCH18	1	
G-1-12	6002-000174	SCREW-TAPPING	PWH,+2,M3,L10,ZPC(YEL),SM20C	1	
G-1-13	0604-000157	PHOTO-INTERRUPTER	ER-350F,TR	1	
G-1-14	JK39-40003A	CBF-HARNESS	ER-350,-,UL1007,400MM,RED/ORG	1	

7-8 Drawer Assembly

DRAWER DISASSEMBLY DIAGRAM



7-8-1 Cover Assembly

No.	Code No.	Description / Specification	Q'ty	Remark	Rank
A1	JK70-10405A	HOUSING : STEEL	1		Y
A2	JK72-40375A	COVER BOTTOM : HIPS HB	1		Y
A3	6021-000167	NUT HEX M6	2		Y
A4	6031-000243	WASHER PLAIN	2		N
A5	JK72-40363A	ROLLER-DRAWER	2		Y
A6	JK61-40201A	RUBBER FOOT	4		Y
A7	6001-000678	SCREW(M3*6)	6		N

7-8-2 Tray Assembly (Not Changed)

No.	Code No.	Description / Specification	Q'ty	Remark	Rank
B1	JK72-40242A	BILL COIN-TRAY : HIPS HB	1		Y
B2	JK75-10389A	LOCK KEY	1		Y
B3	JK70-10323A	PLATE-CLIP	1		Y
B4	JK72-60396A	BUSHING : HIPS HB	1		Y
B5	6002-000167	NUT-HEXAGON	2		Y
B6	6044-000124	RING-E	1		Y
B7	JK70-40302A	SHAFT-PIN	1		Y
B8	JK72-40240A	BILL COIN-PARTITION	2,3		Y
B9	6002-000193	SCREW-TAPPING	6,7		N
B10	JK70-10307A	PLATE-HOLDER	1		Y
B11	JK70-10314A	HOLDER-LEVER	3,4		N
B12	6107-000134	SPRING-ES	3,4		Y
B13	JK72-40267A	LEVER-PRESS	3,4		Y

7-8-3 Lock Assembly

No.	Code No.	Description / Specification	Q'ty	Remark	Rank
C1	925 380009AA	SOLENOID ASSY	1		Y
	24793-700-101	DC-SOLENOID ASSY	1		
C2	811 390003A	BRKT LOCK ASSY	1		Y
	JK70-10328A	LEVER-LOCK	1		
	JK70-40309A	SHAFT-DOOR	1		
C3	6002-000201	SCREW,TAPPING,M4*12	3		N
C4	6001-000677	SCREW,MACHINE,M3*6	2		N
C5	6107-000126	SPRING LEVER LOCK	1		Y
C6	831 522004AB	SPRING-PUSH	1		Y
C7	JK73-20210A	RUBBER-BUMPER	1		Y
C8	6001-000702	SCREW,MACHINE,M4*15	1		N
D11	853 123001BB	NUT, HEX, 2-M3	2		N
D12	842 344022AB	TAPPING, PH, M4X10	3		N
D13	955 390021AZAA	CBF-CON ASSY, 150mm	1		N
D14	842 840007BC	TAPPING, PH, M3X6	2		N
D15	813 390028AB	SPRING-PLATE	1		N

7-8-4 Bottom Assembly

No.	Code No.	Description / Specification	Q'ty	Remark	Rank
E	2D902-701-042	ASS'Y-BOTTOM	1		Y
E1	813 390035AA	BOTTOM-PLATE : SBHG-1, T0.8	1		N
E2	821 397005AA	RUBBER-STOPPER : NR	2		N
E3	831 313006AA	RUBBER-FOOT	4		N
E4	841 514028BA	SCREW (TH)M4X15	4		N