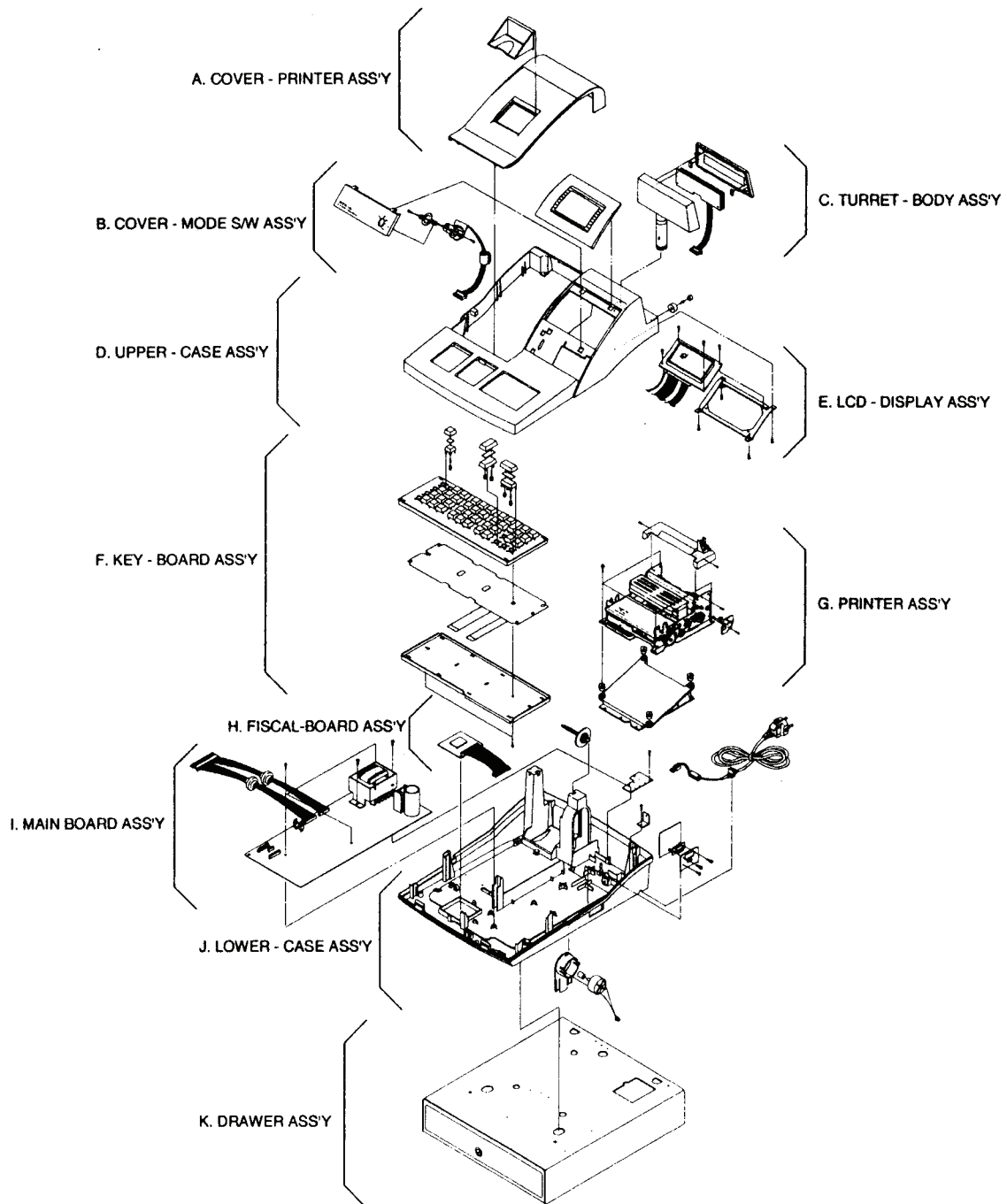


7 Exploded Views and Parts Lists

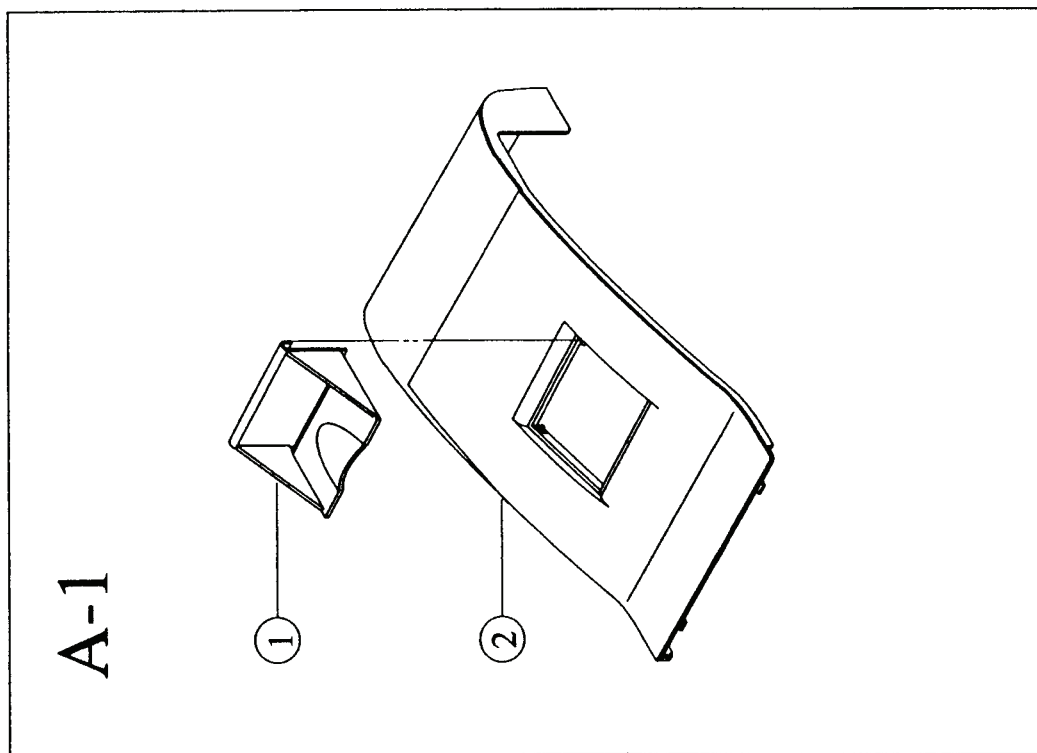
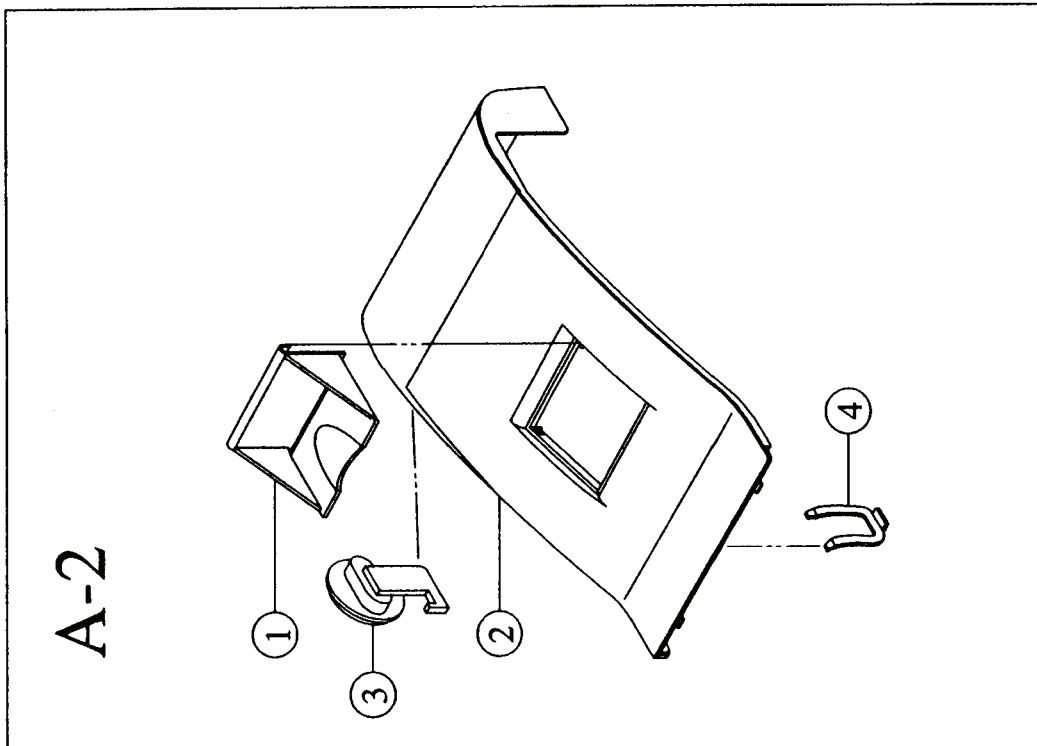
7-1 Assembly Exploded View



NO.	CODE NO.	DESCRIPTION/SPECIFICATION	Q'TY	REMARK	RANK
A	JK97-00103A	COVER PRINTER ASS`Y	1		N
B	JK97-00141S	COVER MODE SWITCH ASS`Y	1		N
C	JK97-00125A	UPPER CASE ASS`Y	1		N
D	JK96-00184A	TURRET ASS`Y	1		N
E	JK97-00138A	LOWER CASE ASS`Y	1		N
F	JK97-00184H	KEY BOARD ASS`Y	1		N
G	JK96-00933A	PRINTER ASS`Y	1		N
H	JK97-00160A	DRAWER ASS`Y	1		N

* RANK : Y = Replaceable item at service, N = Not a replaceable item at service

7-2 Cover Printer Assembly

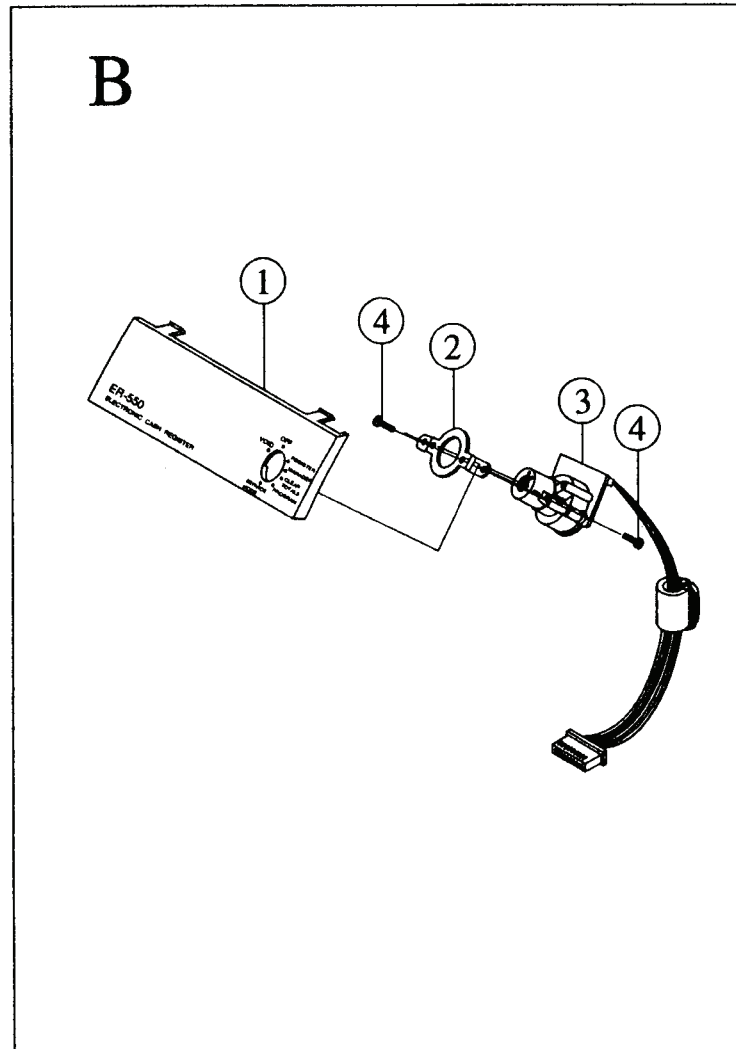


(COVER PRINTER ASS'Y PART LIST)

NO.	CODE NO.	DESCRIPTION/SPECIFICATION	Q'TY	REMARK	RANK
A-1-1	JK72-40204A	WINDOW-JOURNAL	1		Y
A-1-2	JK72-40212A	COVER-PRINTER	1		Y
A-2-3	JK75-10391A	UNIT / LOCK KEY	1		Y
A-2-4	JK70-10323A	PLATE-CLIP	1		Y

* RANK : Y = Replaceable item at service, N = Not a replaceable item at service

7-3 Cover Mode Switch Assembly

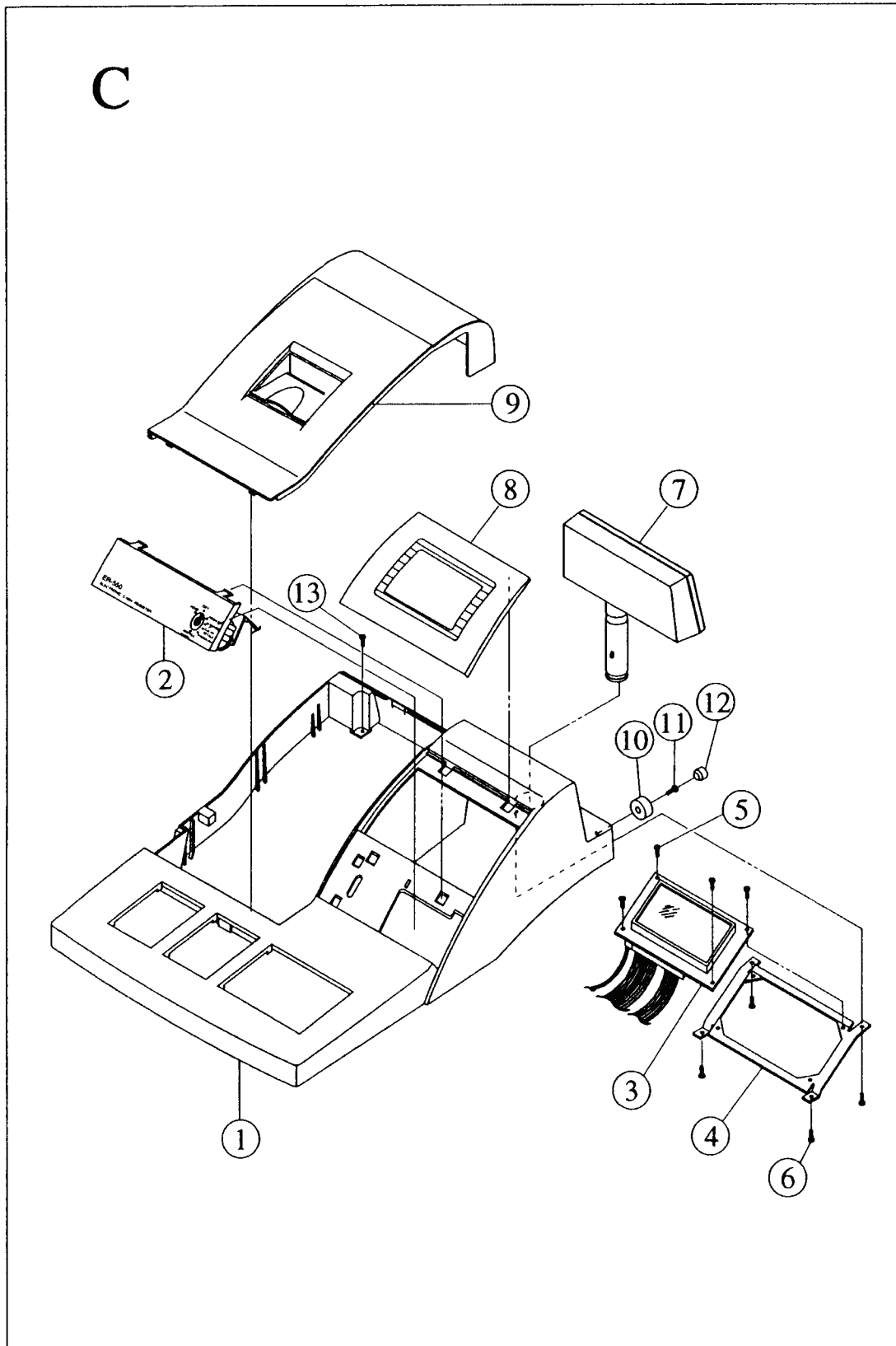


(COVER MODE SWITCH ASS'Y PART LIST)

NO.	CODE NO.	DESCRIPTION/SPECIFICATION	Q'TY	REMARK	RANK
B-1	JK72-40378A	COVER- MODE SWITCH	1		Y
B-2	JK70-10004A	BRKT-MODE SWITCH	1		Y
B-3	3406-000116	SWITCH- ROTARY	1		Y
B-4	6002-000319	SCREW-TAPPING (PH, M3, L8)	4		Y

* RANK : Y = Replaceable item at service, N = Not a replaceable item at service

7-3 Upper Case Assembly

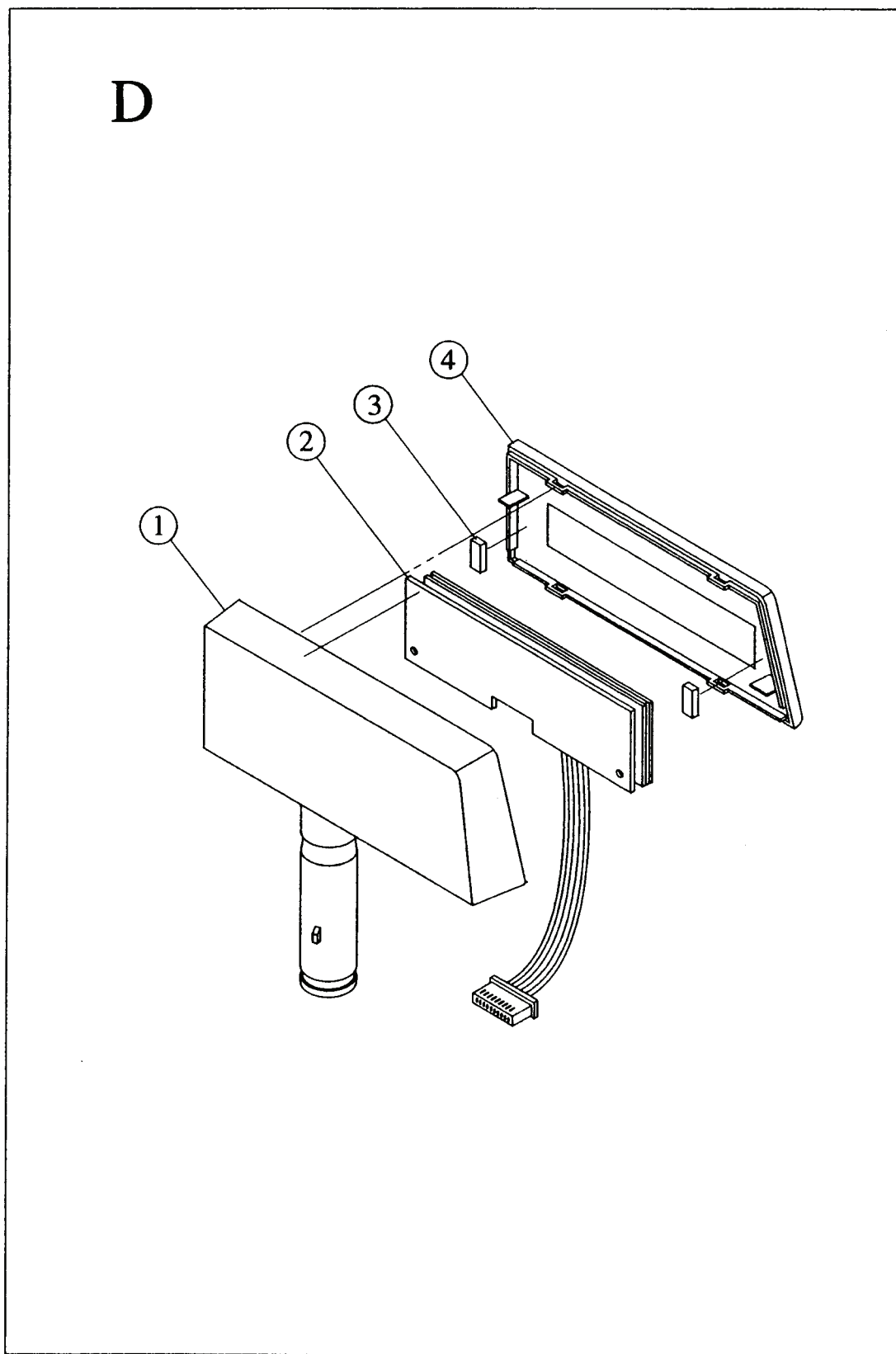


(UPPER CASE ASS'Y PART LIST)

NO.	CODE NO.	DESCRIPTION/SPECIFICATION	Q'TY	REMARK	RANK
C-1	JK72-40213A	UPPER CASE	1		Y
C-2	-	COVER MODE SWITCH ASS'Y	1		-
C-3	JK07-20100A	LCD ASS'Y	1		Y
C-4	JK70-10408A	BRKT-WINDOW LCD	1		Y
C-5	6006-000003	SCRE-ASS'Y (WT, M2.6, L5)	1		Y
C-6	6002-000175	SCREW-TAPPING (PWH, M3, L8)	1		Y
C-7	-	TURRET ASS'Y	1		N
C-8	JK75-10417A	MEC-WINDOW DISPLAY	1		-
C-9	-	COVER-PRINT ASS'Y	1		Y
C-10	JK70-40305A	MOLDING INSERT	1		Y
C-11	6001-000367	SCREW-MACHINE (FH, M4, L10)	1		Y
C-12	JK71-30301B	LEAD CAP	1		Y
C-13	6002-000174	SCREW-TAPPING (PWH, M3, L10)	1		Y

* RANK : Y = Replaceable item at service, N = Not a replaceable item at service

7-4 Turret Assembly

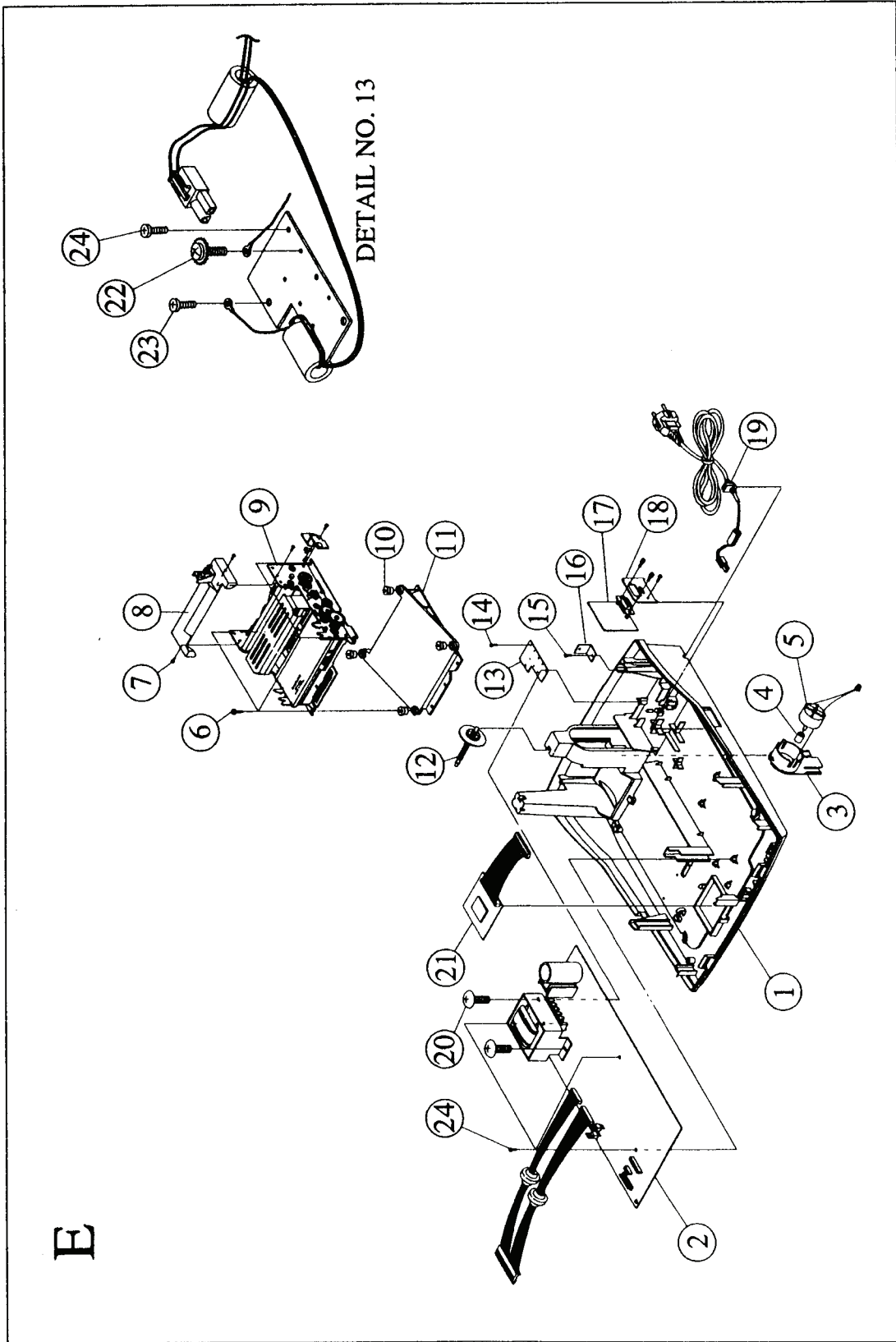


(TURRET ASS'Y PART LIST)

NO.	CODE NO.	DESCRIPTION/SPECIFICATION	Q'TY	REMARK	RANK
D-1	JK72-40210A	TURRET BODY	1		Y
D-2	JK96-00184A	TURRET-PCB ASS'Y (10digit)	1		Y
D-3	JK73-10207A	PAD-TURRET PCB	2		Y
D-4	JK72-40209B	WINDOW-TURRET	1		Y

* RANK : Y = Replaceable item at service, N = Not a replaceable item at service

7-5 Lower Case Assembly

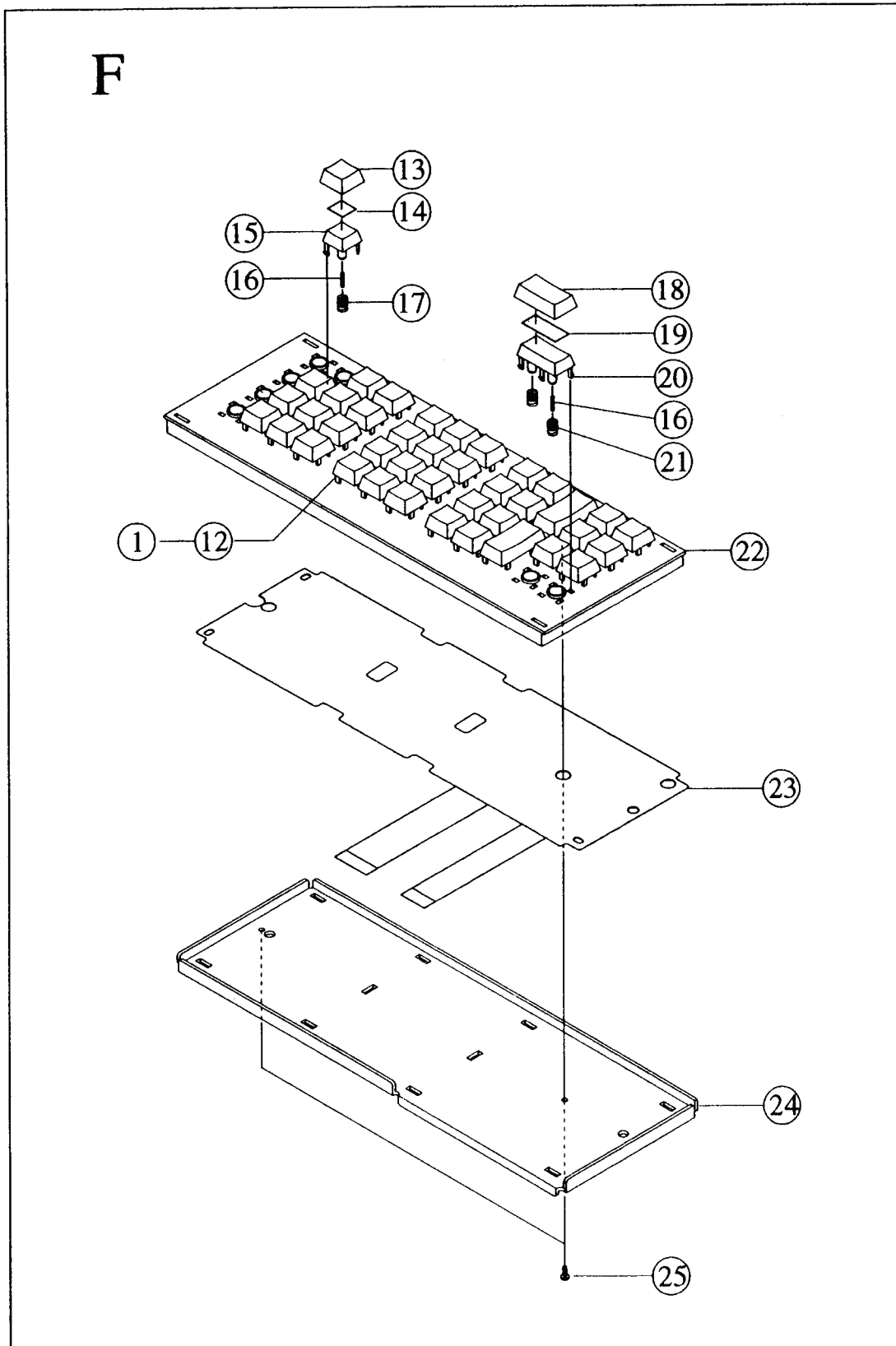


(LOWER CASE ASS'Y PART LIST)

NO.	CODE NO.	DESCRIPTION/SPECIFICATION	Q'TY	REMARK	RANK
E-1	JK72-40214A	LOWER CASE	1		Y
E-2	JK92-00128T	MAIN-PCB ASS'Y	1		Y
E-3	JK72-40206A	HOLDER-MOTOR	1		Y
E-4	JK73-30200A	RCT-MOTOR	1		Y
E-5	953 280032AA	MOTOR	1		Y
E-6	6002-000209	SCREW-TAPPING (PWH, M3, L17.5)	4		Y
E-7	6002-000175	SCREW-TAPPING (PWH, M3, L8)	2		Y
E-8	JK72-40217A	CASE-PRINTER HOLDER	1		Y
E-9	JK59-10507A	PRINTER ASS'Y (ERP-200N)	1		Y
E-10	JK73-40201A	RMO-PRINTER	4		Y
E-11	JK72-40208A	HOLDER-PRINTER	1		Y
E-12	JK72-40215A	PULLY-WINDING	1		Y
E-13	JK70-10001A	GROUND-PLAT	1		Y
E-14	6002-000174	SCREW-TAPPING (PH, M3, L10)	1		Y
E-15	6002-000171	SCREW TAPPING (PH, M4, L10)	1		Y
E-16	JK70-10002A	BRKT-CASING	1		Y
E-17	JK92-00134A	PBA-I/F AUTO	1		Y
E-18	JK72-10003A	BRKT-PORT	1		Y
E-19	JK39-10003A	POWER-CORD	1		Y
E-20	6003-000014	SCREW-TAPPING (PWH, M5, L14)	2		Y
E-21	JK92-00131A	FISCAL-BOARD ASS'Y	1		Y
E-22	6006-000196	SCREW-ASS'Y TAPPING (RH, M3, L8)	1		Y
B-23	6006-000199	SCREW-ASS'Y TAPTITE (BH, M4, L8)	1		Y
E-24	6002-000174	SCREW-TAPPING (PWH, M3, L10)	1		Y

* RANK : Y = Replaceable item at service, N = Not a replaceable item at service

7-6 Keyboard Assembly

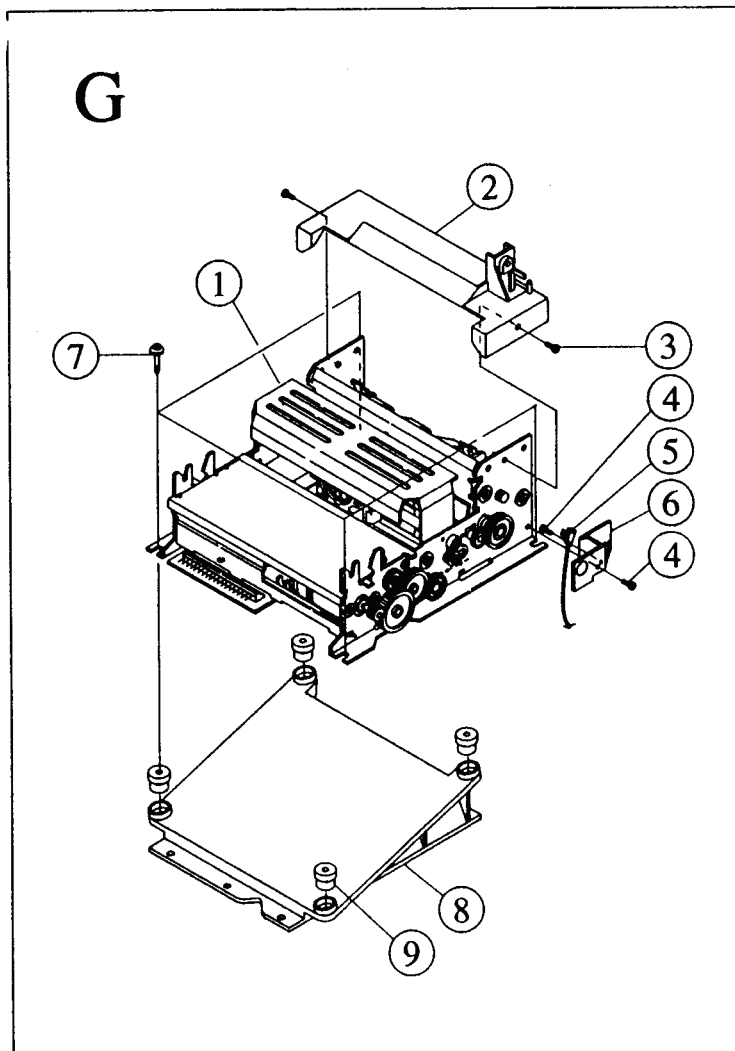


(KEY BOARD ASS'Y PART LIST)

NO.	CODE NO.	DESCRIPTION/SPECIFICATION	Q'TY	REMARK	RANK
F-1	JK81-10933A	COVER-KEY TOP, 1	1		N
F-2	JK81-10934A	COVER-KEY TOP, 2	1		N
F-3	JK81-10935A	COVER-KEY TOP, 3	1		N
F-4	JK81-10936A	COVER-KEY TOP, 4	1		N
F-5	JK81-10937A	COVER-KEY TOP, 5	1		N
F-6	JK81-10938A	COVER-KEY TOP, 6	1		N
F-7	JK81-10939A	COVER-KEY TOP, 7	1		N
F-8	JK81-10940A	COVER-KEY TOP, 8	1		N
F-9	JK81-10941A	COVER-KEY TOP, 9	1		N
F-10	JK81-10942A	COVER-KEY TOP, 0	1		N
F-11	JK81-10943A	COVER-KEY TOP, 00	1		N
F-12	JK81-10944A	COVER-KEY TOP, .	1		N
F-13	JK81-10945A	KEY CAP, S (1*1)	1		N
F-14	-	LABEL KEY TOP SET (1*1)	-		N
F-15	JK81-10947A	KEY TOP, S (1*1)	1		N
F-16	26674-710-810	COIL SPRING	44		N
F-17	26674-710-610	COIL SPRING RETURN (1*1U)	43		N
F-18	JK81-10946A	KEY CAP, L (1*2)	26		N
F-19	-	LABEL KEY TOP SET (1*2)	1		N
F-20	JK81-10948A	KEY TOP, L (1*2)	26		N
F-21	JK61-70301A	COIL SPRING RETURN (1*2)	2		N
F-22	JK72-60448A	HOUSING	1		N
F-23	JK81-10949A	FPC ASS'Y	1		N
F-24	JK70-10422A	FRAME (T0.8)	1		
F-25	6002-000114	SCREW TP : M3x8 (TAPPING)	2		

* RANK : Y = Replaceable item at service, N = Not a replaceable item at service

7-7 Printer Assembly

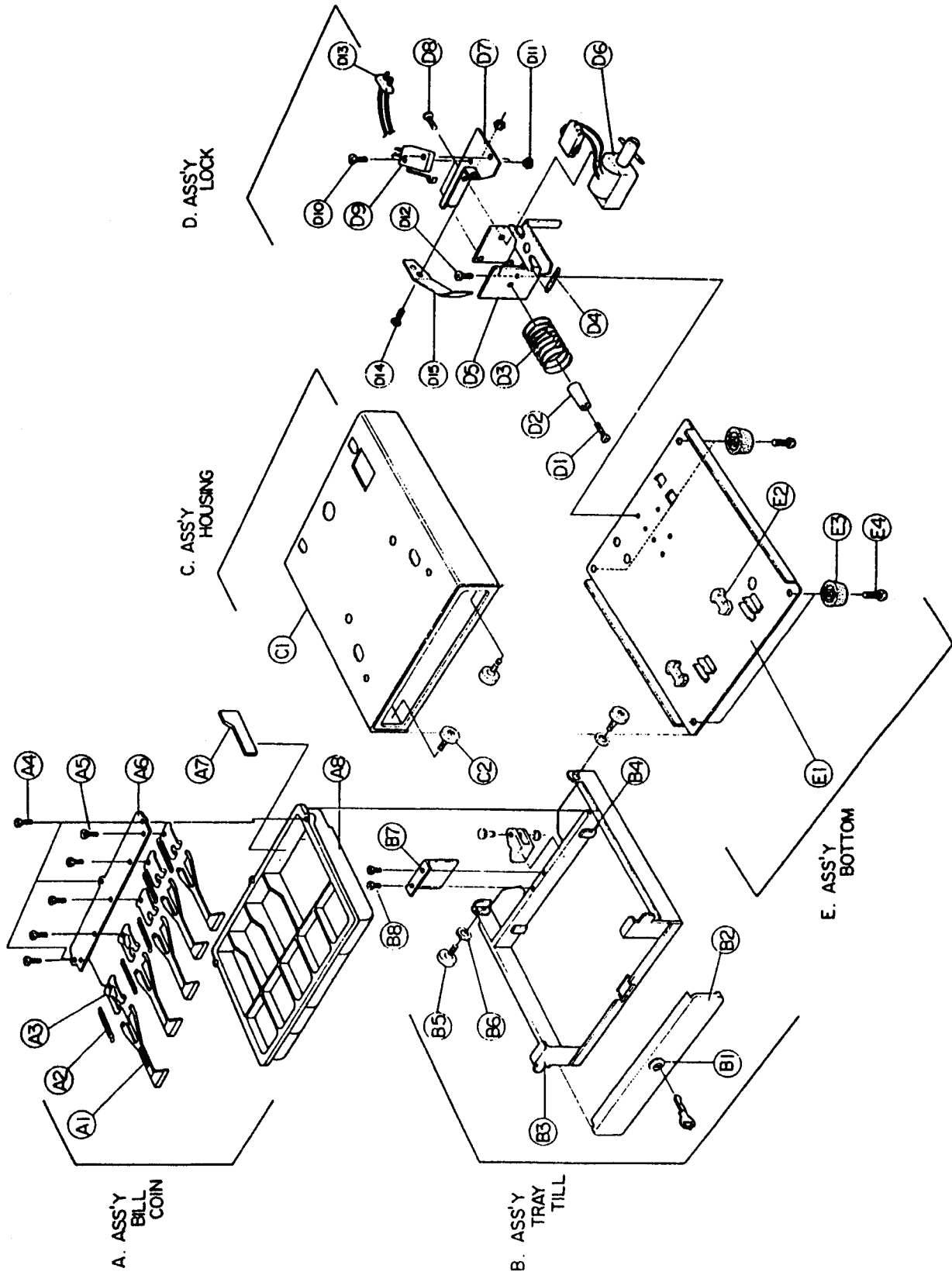


(PRINTER ASS'Y PARTLIST)

NO.	CODE NO.	DESCRIPTION/SPECIFICATION	Q'TY	REMARK	RANK
G-1	JK59-10507A	PRINTER ASS'Y (ERP-200N)	1		Y
G-2	JK72-40217A	CASE-PRINTER HOLDER	1		Y
G-3	6002-000175	SCREW-TAPPING (RWH, M3, L8)	2		Y
G-4	6001-000671	SCREW-MACHINE (RH, M3, L10)	2		Y
G-5	0604-000157	PHOTO-INTERRUPTER	1		Y
G-6	JK70-10012A	BRKT-SENSOR	1		Y
G-7	6002-000209	SCREW-TAPPING (RWH, M3, L17.5)	4		Y
G-8	JK72-40208A	HOLDER-PRINTER	1		Y
G-9	JK73-40201A	RMO-PRINTER	4		Y

* RANK : Y = Replaceable item at service, N = Not a replaceable item at service

7-8 Drawer Assembly



7-8-1 ASSY-BILL COIN

LO.NO	CODE NO	PART NAME	SPECIFICATION	QTY	REMARK
A1	JK72-40267A	PMO-LEVER PRESS	DRAWER-A,POM,BLK	4,5	4B,5B
A2	6107-000134	SPRING-ES	PI0.65,D4.35,L31.7	5	
A3	JK70-10314A	IPR-HOLDER LEVER	DRAWER-A,SPCC,T1.2	4,5	4B,5B
A4	6001-000131	SCREW-MACHINE	BH,+,M3,L6	3	
A5	6002-000153	SCREW-TAPPING	PH,+,2,M3,L6	5	
A6	JK70-10304A	IPR-PLATE HOLDER	SBHG-1,T1.2	1	
A7	JK72-40269A	PMO-PANEL PARTITION	HIPS,HB,BLK	3,4	4B,5B
A8	JK72-40291A	PMO-BILL/COIN TILL	ERD-A54,HIPS,HB,BLK	1	4B8C
	JK72-40268A	PMO-BILL/COIN TILL	ERD-A55,HIPS,HB,BLK	1	5B5C

7-8-2 ASSY-TRAY TILL

LO.NO	CODE NO	PART NAME	SPECIFICATION	QTY	REMARK
B1	JK75-10389A	MEC-LOCK	DRAWER	1	
B2	JK70-10334A	IPR-PANEL FRONT	SPCC,T1.0,IVR	1	NON-KEY
	JK70-10334B	PANEL-FRONT/KEY	SPCC,T1.0,IVR	1	KEY
B3	JK97-00326A	MEC-ETC SUB TRAY	ASSY	1	
B4	JK73-10203A	RPR-TENSION	SPONGE,BLK,W36XL11	2	
	JK74-40901A	MCT-SPONGE"A"	EVA SPONGE,UNIER.	2	
B5	JK75-10386A	MEC-ROLLER	DRAWER,DR-19-B1	2	
B6	JK70-10323A	IPR-PLATE CLIP	SUS 304, T 0.05	1	
B7	JK70-10324A	IPR-SUPPORT TRAY	SBHG-1,T1.2	1	
B8	6001-000354	SCREW-MACHINE	FH,+,M4,L8	2	
B9	6004-000124	RING-E	ID3,OD7	1	
B10	JK70-40302A	IPR-SHAFT PIN	SUM 24L, Zn	1	

7-8-3 ASSY-HOUSING

LO.NO	CODE NO	PART NAME	SPECIFICATION	QTY	REMARK
C1	JK97-00195A	MEC-SUB HOUSING	ASSY	1	STD
	JK97-00196A	MEC-SUB HOUSING	ASSY	1	IVORY
	JK97-00199A	MEC-SUB HOUSING	ASSY	1	BLUE
C2	JK75-10386A	MEC-ROLLER	DRAWER,DR-19-B1	2	

7-8-4 ASSY-LOCK

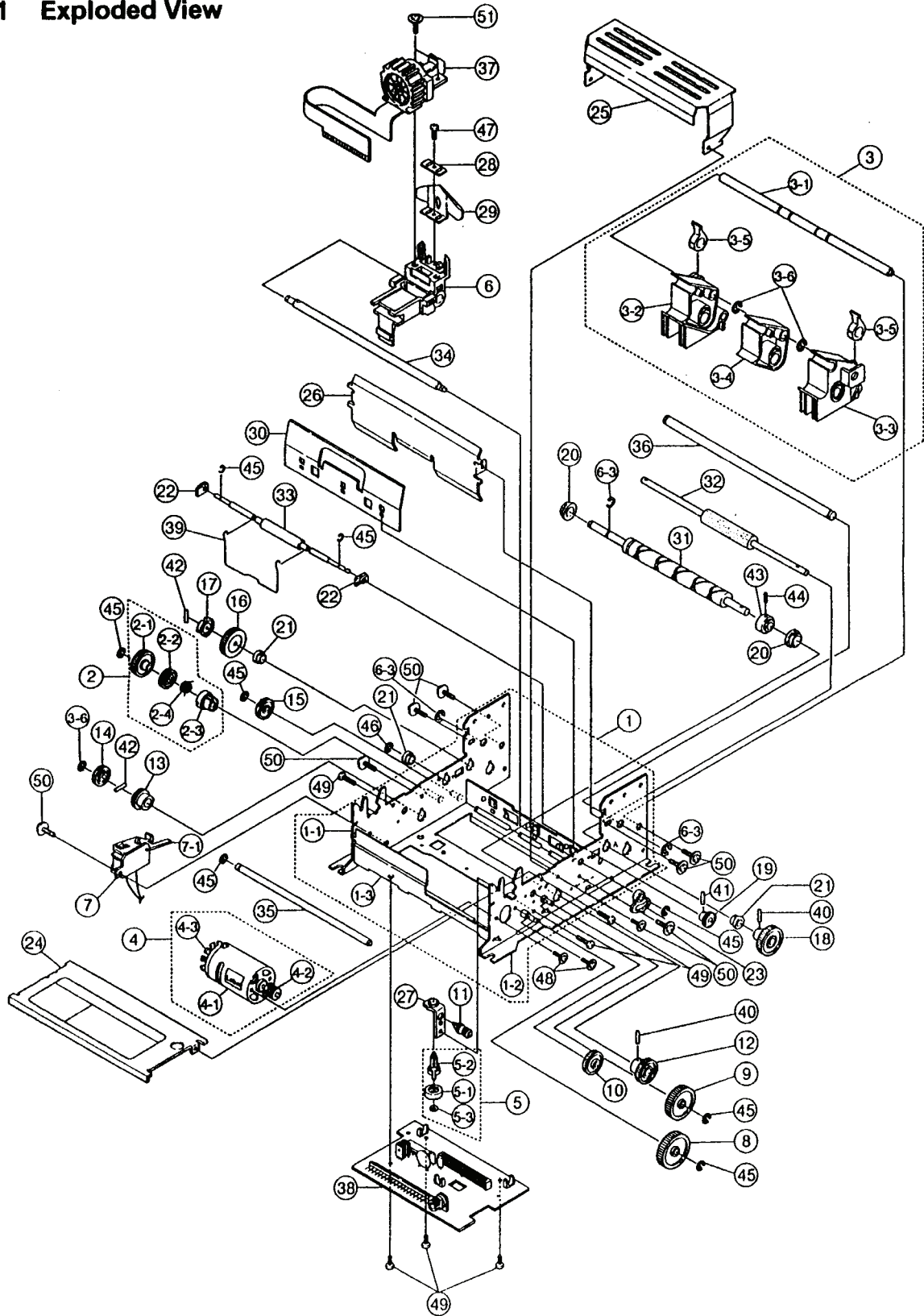
LO.NO	CODE NO	PART NAME	SPECIFICATION	QTY	REMARK
D	JK81-11039A	ASSY-LOCK UNIT	LEV(S), COM(Y)	1	
	JK81-11059A	ASSY-LOCK UNIT	LEV(S), COM(N)	1	
	JK81-11060A	ASSY-LOCK UNIT	STD,LEV(L), COM(Y)	1	
	JK81-11061A	ASSY-LOCK UNIT	STD,LEV(L), COM(N)	1	
D1	6001-000702	SCREW-MACHINE	TH,+,M4,L15	1	
D2	JK73-20210A	REX-BUMPER	DRAWER,NR,BLK	1	
D3	JK61-70100A	SPRING-PUSH	FZN,BLK	1	
D4	6107-000126	SPRING-ES	PI0.35,D2.84,L11.3	1	
D5	JK81-11063A	AS-SUB LOCK	ASSY	1	
D6	JK33-10500A	SOLENOID-DC	KSD-2013-S(200)	1	
D7	6001-000131	SCREW-MACHINE	BH,+,M3,L6	2	
D8	6001-000525	SCREW-MACHINE	PH,+,M3,L14	2	
D9	3405-001013	SWITCH-MICRO	125V,5A,60gf	1	
D10	6002-000161	SCREW-TAPPING	PH,+,M4,L8	3	
D11	JK39-40301R	CBF-HARNESS	2P,150MM,BRN	1	

7-8-5 ASSY-BOTTOM

LO.NO	CODE NO	PART NAME	SPECIFICATION	QTY	REMARK
E1	JK70-10333A	PLATE-BOTTOM	SBHG-1,T=1.0	1	
E2	JK73-20207A	REX-PAD DRAWER	NR,BLK	2	
	JK73-10902A	RMO-STOPPER	NR,IVORY,UNIVERSA	2	
E3	JK61-40200A	FOOT	NR,BLK,80HB	4	
E4	6001-000702	SCREW-TAPPING	TH,+,2S,M4,L16	4	
E5	JK70-10401A	IPR-PLATE SPRING/D	SUS 304, T=0.3	2	
E6	6002-000153	SCREW-TAPPING	PH,2,M3,L6	2	

7-9 ERP-200N Assembly

7-9-1 Exploded View



7-9-2 Parts List

NO.	CODE NO.	DESCRIPTION/SPECIFICATION	Q'TY	SEM CODE NO.	RANK
0	JK75-10014A	MINI PRINTER	1	ECR01020000	Y
1	JK81-10246A	FRAME ASSY	1	ECR01-460	Y
1-1	JK81-10247A	SIDE FRAME L ASS'Y	1	ECR01-500	Y
1-1-1	JK81-10186A	SIDE FRAME L	1	18601-01040AA	N
1-1-2	JK81-10248A	SHAFT CLUTCH	1	18634-00300EA	N
1-1-3	JK81-10249A	SHAFT PF IDLE	1	18634-00310EA	N
1-2	JK81-10250A	SIDE FRAME R ASS'Y	1	ECR01-510	Y
1-2-1	JK81-10187A	SIDE FRAME R	1	18601-01050AA	N
1-2-2	JK81-10251A	SHAFT 1 st REDUCTION	1	18634-00320EA	N
1-2-3	JK81-10252A	SHAFT 2 nd REDUCTION	1	18634-00330EA	N
1-3	JK81-10143A	FRAME FIXING PLATE	1	18605-01070AA	Y
2	JK81-10253A	CLUTCH ASS'Y	1	ECR01-550	Y
2-1	JK81-10196A	GEAR CLUTCH BASE ASS'Y	1	ECR02-610	Y
2-1-1	JK81-10254A	GEAR CLUTCH BASE	1	18613-01290AB	N
2-1-2	JK81-10255A	BUCH CLUTCH	1	18634-00340EA	N
2-2	JK81-10194A	GEAR CLUTCH	1	18613-01280AB	Y
2-3	JK81-10193A	GEAR CLUTCH COVER	1	18613-00270AB	Y
2-4	JK81-10256A	SPRING CLUTCH	1	51260-07056XA	Y
3	JK81-10257A	PAPER GUIDE ASSY	1	ECR01-560	Y
3-1	JK81-10201A	SHAFT GUIDE HOLDER	1	18634-00351EA	Y
3-2	JK81-10198A	SIDE GUIDE L ASS'Y	1	18610-01060AB	Y
3-3	JK81-10199A	SIDE GUIDE R ASS'Y	1	18610-01070AB	Y
3-4	JK81-10200A	PAPER GUIDE	1	18610-01080AB	Y
3-5	JK81-10197A	GUIDE HOLDER	1	18634-00350EA	Y
3-6	JK81-10176A	E-RING (4.0)	1	51855-04006XA	Y
4	JK81-10192A	MOTOR ASS'Y	1	ECR01-540	Y
4-1	JK81-10258A	MOTOR	1	71615-24005BA	Y
4-2	JK81-10259A	GEAR MOTOR	1	18613-01260AB	Y
4-3	JK81-10260A	ENCODER	1	18614-01010AB	Y
4-4	JK81-10261A	WIRE (BLUE)	1	70692-07502DA	Y
4-5	JK81-10262A	WIRE (RED)	1	70692-07502RA	Y
5	JK81-10263A	BEVEL ASSY	1	ECR01-530	Y
5-1	JK81-10189A	GEAR RF BEVEL-2	1	18613-01250AB	Y
5-2	JK81-10190A	RF FEEDER	1	18619-01010AB	Y
5-3	JK81-10264A	POLY SLIDE WASHER	1	51001-02505XA	Y
6	JK81-10188A	HEAD CARRIAGE ASS'Y	1	ECR01-520	Y
6-1	JK81-10265A	CARRIAGE ASS'Y	1	ECR02-600	Y

* RANK : Y = Serviceable, N = Not serviceable

NO.	CODE NO.	DESCRIPTION/SPECIFICATION	Q'TY	SEM CODE NO.	RANK
6-1-1	JK81-10266A	HEAD CARRIAGE	1	18623-01010AB	N
6-1-2	JK81-10267A	BEARING-F (METAL BEARING)	1	51601-06001AA	N
6-2	JK81-10268A	SHAFT TRAECE	1	18634-00150EA	Y
6-3	JK81-10177A	E-RING (5.0)	1	51855-05006XA	Y
7	JK81-10269A	SOLENOID ASS`Y	1	79840-01000AA	Y
7-1	JK81-10270A	SOLENOID LEVER	1	18607-01050AB	Y
7-2	JK81-10271A	SPRING SOLENOID	1	51212-01036XA	Y
7-3	JK81-10272A	SOLENOID BODY ASS`Y	1	-	N
7-3-1	JK81-10273A	SOLENOID BODY	1	-	N
7-3-2	JK81-10274A	SOLENOID PLATE	1	-	N
7-4	JK81-10275A	SOLENOID BOBBIN	1	-	N
8	JK81-10151A	GEAR 1 st REDUCTION	1	18613-01180AB	Y
9	JK81-10152A	GEAR 2 nd REDUCTION	1	18613-01190AB	Y
10	JK81-10153A	GEAR RF	1	18613-01200AB	Y
11	JK81-10150A	GEAR RF BEVEL-1	1	18613-01170AB	Y
12	JK81-10154A	GEAR HF-1	1	18613-01201AB	Y
13	JK81-10156A	GEAR RATCHET	1	18613-01230AB	Y
14	JK81-10157A	GEAR HF-2	1	18613-01240AB	Y
15	JK81-10155A	GEAR PF IDLE	1	18613-01220AB	Y
16	JK81-10276A	GEAR PF	1	18613-01140AB	Y
17	JK81-10158A	PAPER FEEDER	1	18619-01000AB	Y
18	JK81-10148A	GEAR ROLLER-1	1	18613-01150AB	Y
19	JK81-10149A	GEAR ROLLER-2	1	18613-01160AB	Y
20	JK81-10172A	POLY BEARING-1	1	51602-06010AA	Y
21	JK81-10171A	POLY BAERING-2	1	51602-04020AA	Y
22	JK81-10170A	POLY BEARING-3	1	51602-03030AA	Y
23	JK81-10145A	AD.LEVER	1	18607-01040AB	Y
24	JK81-10139A	RIBBON FRAME	1	18601-01030AA	Y
25	JK81-10142A	HEAD COVER	1	18605-01080AA	Y
26	JK81-10141A	PLATEN	1	18604-01001AA	Y
27	JK81-10144A	RF GEAR HOLDER	1	18606-01000AA	Y
28	JK81-10277A	SPACER	1	18612-01000AA	Y
29	JK81-10147A	HEAD PAPER GUIDE	1	18610-01050AB	Y
30	JK81-10146A	PLATEN PAPER GUIDE	1	18610-01040AB	Y
31	JK81-10160A	LEAD CAM	1	18621-01020BD	Y
32	JK81-10159A	RUBBER ROLLER	1	18620-01020AB	Y
33	JK81-10161A	SHAFT ROLLER	1	18634-00260EA	Y

* RANK : Y = Serviceable, N = Not serviceable

NO.	CODE NO.	DESCRIPTION/SPECIFICATION	Q'TY	SEM CODE NO.	RANK
34	JK81-10162A	SHAFT HEAD GUIDE	1	18634-00270EA	Y
35	JK81-10163A	SHAFT CARRIAGE	1	18634-00281EA	Y
36	JK81-10164A	SHAFT PAPER GUIDE	1	18634-00290EA	Y
37	JK81-10182A	PRINTER HEAD	1	69828-16002AA	Y
38	JK81-10203A	DRIVE ASS'Y	1	ECR-570	Y
	JK81-10204A	PCB	1	11142-00221FA	Y
Q3	JK81-10205A	TR-DTC143EKA	1	60026-00143WB	Y
D1,D2	JK81-10206A	DIODE-RLS4148	2	60222-04148RB	Y
C1	JK81-10207A	FILM-CAP (1nF)	1	61215-10220JB	Y
C2	JK81-10208A	FILM-CAP (4.7nF)	1	61215-47220JB	Y
C3	JK81-10209A	CAPACITOR-C (High voltage 10nF/1kV)	1	60826-10330MZ	Y
	JK81-10210A	CONNECTOR (12Pin)	1	70213-60001KA	Y
	JK81-10211A	CONNECTOR (22Pin)	1	70213-90001QA	Y
SEN1,2,3	JK81-10212A	PHOTO-SENSOR	3	64821-30000BA	Y
Q1	JK81-10213A	TR-KSB772	1	60010-00772BA	Y
Q2	JK81-10214A	TR-KSE800	1	60030-00800LA	Y
	JK81-10215A	IC-BA6301	1	62893-06301AA	Y
R1	JK81-10285A	CHIP-RESISTER (1k Ω)	1	60411-10277CA	Y
R2	JK81-10217A	CHIP-RESISTER (2.2k Ω)	1	60411-22277CA	Y
R3,R4	JK81-10216A	CHIP-RESISTER (1.2k Ω)	2	60411-12277CA	Y
R5	JK81-10219A	CHIP-RESISTER (150k Ω)	1	60411-15477CA	Y
R6,R16	JK81-10220A	CHIP-RESISTER (15k Ω)	2	60411-15377CB	Y
R7	JK81-10221A	CHIP-RESISTER (47k Ω)	1	60411-47377CA	Y
R8	JK81-10951A	CHIP-RESISTER (130k Ω)	1	60411-13477CD	Y
R9	JK81-10223A	CHIP-RESISTER (10k Ω)	1	60411-10377CA	Y
R10	JK81-10952A	CHIP-RESISTER (220k Ω)	1	60411-	Y
R11,13,15	JK81-10225A	CHIP-RESISTER (68k Ω)	3	60411-68377CA	Y
R12,R14	JK81-10224A	CHIP-RESISTER (220 Ω)	2	60411-22177CA	Y
J	JK81-10226A	CHIP-RESISTER (0 Ω)	1	60411-00077CA	Y
VR	JK81-10950A	SEMI-VOL (50k Ω)	1	60626-50377CA	Y
39	JK81-10278A	SPRING ROLLER	1	51298-07466XA	Y
40	JK81-10279A	SPRING PIN (ϕ 2X10)	2	52062-01000QA	Y
41	JK81-10280A	SPRING PIN (ϕ 1.5X6)	1	52065-00610QA	Y
42	JK81-10281A	PARALLEL PIN (ϕ 2X9)	2	52015-00910XA	Y
43	JK81-10282A	WAVE WASHER (ϕ 6X11)	1	51032-06202QA	Y
44	JK81-10283A	PLAIN WASHER (ϕ 6X12)	1	51001-02605XA	Y

* RANK : Y = Serviceable, N = Not serviceable

NO.	CODE NO.	DESCRIPTION/SPECIFICATION	Q'TY	SEM CODE NO.	RANK
45	JK81-10173A	E-RING (2.5)	8	51855-02504XA	Y
46	JK81-10174A	E-RING (3.0)	1	51855-03006XA	Y
47	JK81-10284A	SCREW (M2X4)	1	50232-20039EB	Y
48	JK81-10165A	SCREW (M2.6X4)	2	50032-26041EA	Y
49	JK81-10166A	SCREW (M3X4)	5	50032-30041EA	Y
50	JK81-10167A	SCREW (M3X5)	8	50052-30051EA	Y
51	JK81-10168A	SCREW (M3X10)	2	50232-30104EA	Y

* RANK : Y = Serviceable, N = Not serviceable