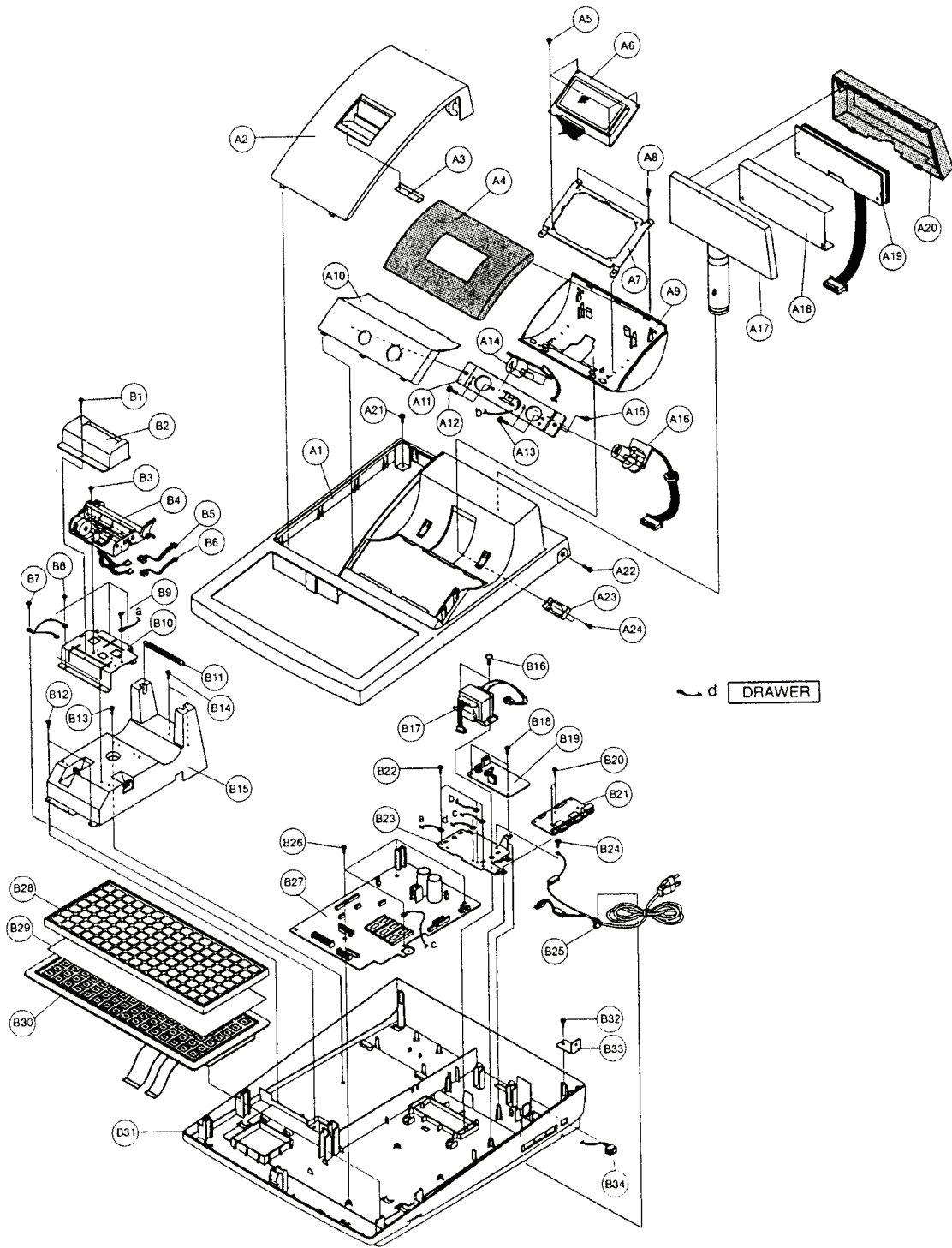


9 Exploded Views and Parts List

9-1 Main Set

9-1-1 Exploded View



9-1 Main Set

9-1-2 Parts List

9-1-2(a) Upper Assembly

No.	Code No.	Description	Specification	Q'ty	Remark	Serviceable
A1	JK72-00038A	PMO-CASE UPPER	HIPS,VO,IV30	1		Y
A2	JK72-00040A	PMO-CASE PRINTER	HIPS,VO,IV30	1		Y
A3	JK70-10320A	CUTTER	STS304,T=0.3	1		Y
A4	JK75-00007A	UNIT/COVER-WINDOW(650)	ER-650,BASIC	1		Y
A5	6006-000003	SCREW-ASS'Y TAPTITE	WT,BH,+,M2.6,L6	4		Y
A6	JK96-01080A	ELA ETC-DISPLAY(650)	ER-650,BASIC	1		Y
A7	JK70-10408A	IPR-BRKT WINDOW_LCD	SECC,T=1.0	1		Y
A8	6002-000174	SCREW-TAPPING	PWH,+,2,M3,L10	2		Y
A9	JK72-00047A	PMO-WINDOW LOWER	HIPS,VO,IV30	1		Y
A10	JK72-00050A	PMO-COVER MODE S/W	HIPS,VO,IV30	1		Y
	JK72-00057A	PMO-COVER CLERK KEY	HIPS,VO,IV30	1		Y
A11	JK70-00052A	IPR-BRKT MODE S/W	SECC,T=1.0	1		Y
A12	6002-000319	SCREW-TAPPING	PH,+,2,M3,L8	2		Y
A13	6002-000319	SCREW-TAPPING	PH,+,2,M3,L8	2		Y
A14	JK96-01081A	ELA ETC-CLERK	ER-650,BASIC	1		Y
A15	6002-000319	SCREW-TAPPING	PH,+,2,M3,L8	3		Y
A16	JK96-00956A	ELA-MODEKEY ASSY	ER-650,BASIC	1		Y
A17	JK72-00016A	PMO-TURRET BODY	HIPS,VO,IV30	1		Y
A18	JK68-00013A	LABEL(P)-TURRET SHEET	PE,T=0.1	1		Y
A19	JK96-01084A	ELA ETC-TURRET(650)	ER-650,BASIC	1		Y
A20	JK72-00034A	PMO-WINDOW TURRET	PC,BL05	1		Y
A21	6002-000172	SCREW-TAPPING	PH,+,2S,M4,L15	1		Y
A22	6001-000367	SCREW-MACHINE	FH,+,M4,L10	1		Y
A23	JK72-00048A	PMO-WINDOW HOLDER	POM,WHITE	1		Y
A24	6002-000174	SCREW-TAPPING	PWH,+,2,M3,L10	2		Y

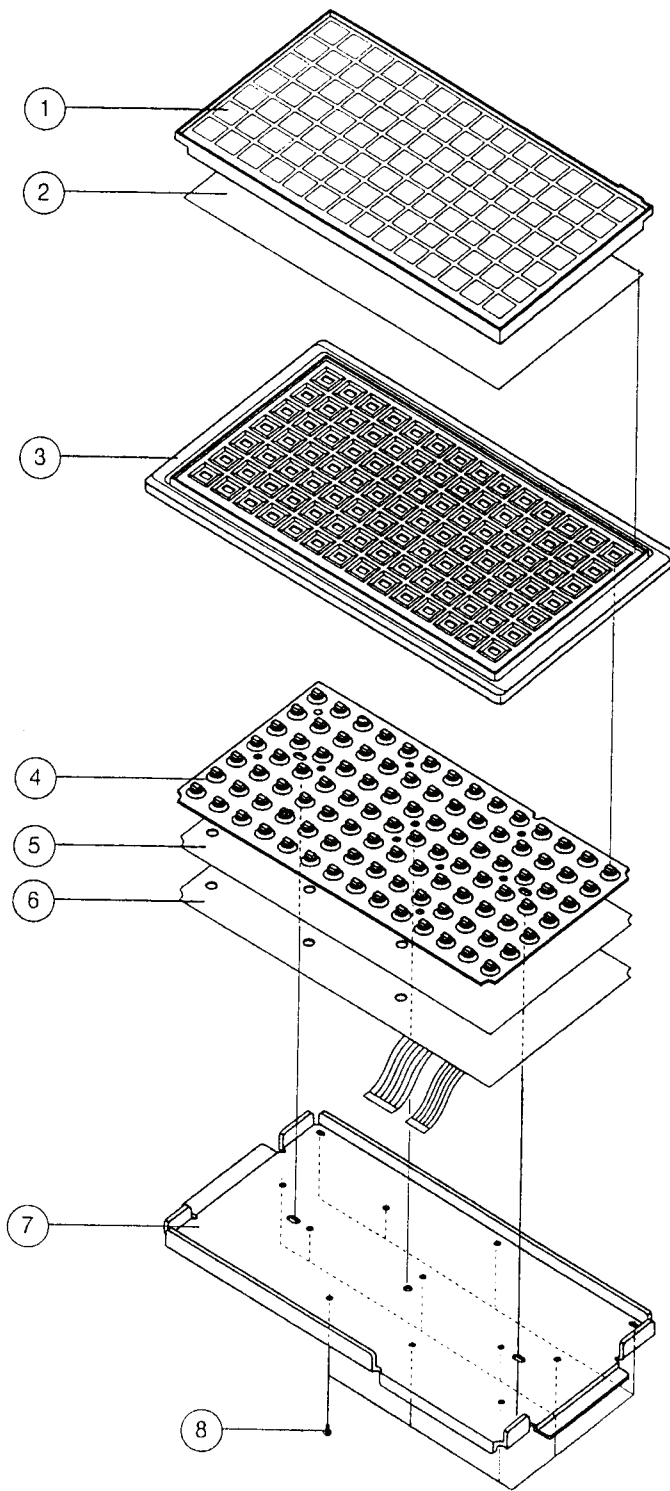
9-1 Main Set

9-1-2-(b) Lower Assembly

No.	Code No.	Description	Specification	Q'ty	Remark	Serviceable
B1	6003-000267	SCREW-TAPTITE	PWH,+ ,S,M3,L8	1		Y
B2	JK72-00053A	PMO-PROTECTOR	HIPS,V0,IV30	1		Y
B3	6001-000001	SCREW-MACHINE	BH,+ ,M2.6,L6	1		Y
B4	JK59-00005A	UNIT-PRINTER	UNIT-PRINTER;M-T102-001	1		Y
B5	JK39-00041A	CBF HARNESS-TPH9	ER-650,FLAT	1		Y
B6	JK39-00036A	CBF HARNESS-TPH10	ER-650,FLAT	1		Y
B7	6003-000221	SCREW-TAPTITE	PWH,+ ,S,M4,L8	1		Y
B8	6002-000174	SCREW-TAPPING	PWH,+ ,2,M3,L10	4		Y
B9	JK60-00001A	SCREW-ASSY TAPTITE	WT,BH,M3,L8	1		Y
B10	JK70-00048A	IPR-HOLDER PRINTER	SECC T=1.0	1		Y
B11	JK72-40973A	PMO-SHAFT PAPER(S)	POM,BLACK	1		Y
B12	6002-000174	SCREW-TAPPING	PWH,+ ,2,M3,L10	2		Y
B13	6002-000174	SCREW-TAPPING	PWH,+ ,2,M3,L10	1		Y
B14	6002-000174	SCREW-TAPPING	PWH,+ ,2,M3,L10	2		Y
B15	JK72-00043A	PMO-PAPER SUPPLY(T)	HIPS,V0,IV30	1		Y
B16	6006-000195	SCREW-ASS'Y TAPPING	WS,BH,+ ,M4,L12	2		Y
B17	JK26-00013A	POWER-TRANS	120V			Y
	JK26-00012A	POWER-TRANS	230V			Y
B18	6002-000174	SCREW-TAPPING	PWH,+ ,2,M3,L10	2		Y
B19	JK92-00949A	POWER BOARD	ER-650	1		Y
B20	6002-000174	SCREW-TAPPING	PWH,+ ,2,M3,L10,Z	2		Y
B21	JK92-00948A	SERIAL BOARD	ER-650, RS-232,IRC			Y
B22	JK60-00001A	SCREW-ASSY TAPTITE	WT,BH,M3,L8	4		Y
B23	JK70-00049A	IPR-GROUND PLATE	SECC T=1.0	1		Y
B24	6006-000199	SCREW-ASS'Y TAPTITE	WT,BH,+ ,M4,L8	1		Y
B25	JK39-10003A	CBF-POWER CORD	120V			Y
	JK39-10501A	CBF-POWER CORD	230V	1		Y
B26	6002-000174	SCREW-TAPPING	PWH,+ ,2,M3,L10	4		Y
B27	JK92-00947A	MAIN PCB ASS'Y	ER-650	1		Y
B28	JK73-00006A	RMO-WATER PROOF	SILICON	1		Y
B29	JK68-00054A	LABEL/MARK-KBD SHEET	PC,T=0.12,WHITE	1	ER-650	Y
B30	JK59-00006A	UNIT-KEYBOARD	ER-650,BASIC	1		Y
B31	JK72-00039A	PMO-CASE LOWER	HIPS,V0,IV30	1		Y
B32	6002-000172	SCREW-TAPPING	PH,+ ,2S,M4,L15	1		Y
B33	JK70-00046A	IPR-BRKT CASING	SECC,T=1.6	1		Y
B34	JK39-00008A	CBF-HARNESS-POWER S/W	ER-650,BASIC	1		Y

9-2 Key Board

9-2-1 Exploded View



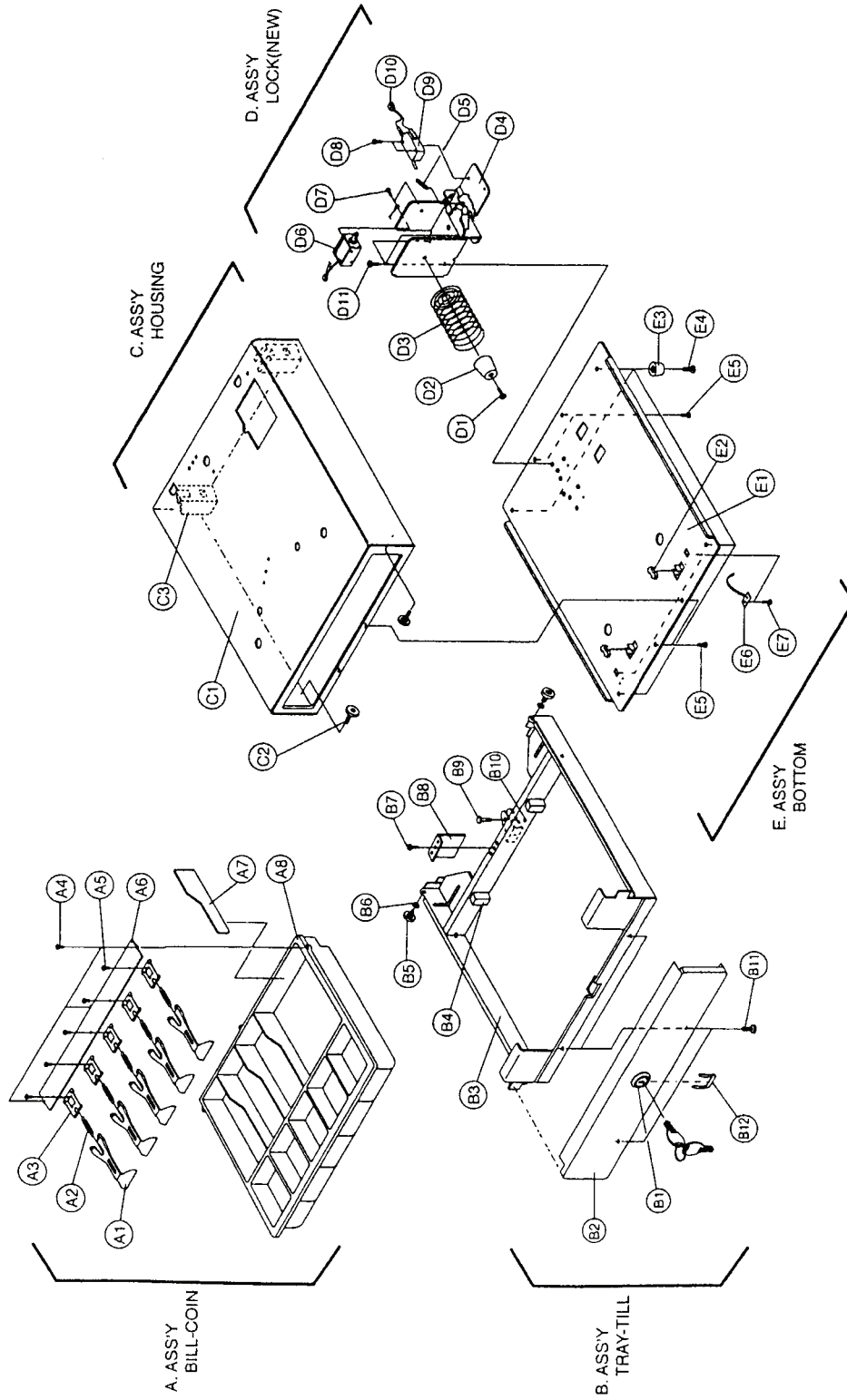
9-2 Key Board

9-2-2 Parts list

No.	Code No.	Description	Specification	Q'ty	Remark	Serviceable
1	JK73-00006A	RMO-WATER PROOF	SILICON	1		Y
2	JK68-00054A	LABEL/MARK-KBD SHEET	PC,T=0.12,WHITE	1	ER-650	Y
3	JK72-00051A	PMO-KEYBOARD HOUSING	HIPS,V0,IV30	1		N
4	JK73-00007A	RMO-KEY RUBBER	SILICON,GRAY	1		N
5	JK41-00004A	PCB-FPC(A)	PET,T=0.1	1		N
6	JK41-00005A	PCB-FPC(B)	PET,T=0.1	1		N
7	JK70-00053A	IPR-KBD FRAME	SECC T=0.8	1		N
8	-	SCREW-TAPPING	BH,M2,L6	13		N

9-3 Drawer

9-3-1 Exploded View



9-3 Drawer

9-3-3 Parts List (5 Bill / 5 Coin)

9-3-3-(a) Bill & Coin Assembly (5B/5C)

No.	Code No.	Description	Specification	Q'ty	Remark	Serviceable
A	JK97-00407A	MEA UNIT-BILL/COIN	A-DRAWER,5B/5C,WORLD	1		N
A1	JK72-40267A	PMO-LEVER PRESS	A-DRAWER,POM	5		Y
A2	6107-000134	SPRING-ES	SUS304	5		Y
A3	JK70-10314A	IPR-HOLDER LEVER	B-TYPE,T1.2,ZPC	5		Y
A4	6002-000175	SCREW-TAPPING	PWH,+2,M3,L8	3		Y
A5	6002-001078	SCREW-TAPPING	PWH,+B,M3,L5	5		Y
A6	JK70-10304A	IPR-PLATE HOLDER	A-TYPE,SBHG-1,T1.2	1		Y
A7	JK72-40269A	PMO-PANEL PARTITION	A-TYPE,HIPS,BLK	4		Y
A8	JK72-40268A	PMO-BILL/COIN TILL	A-TYPE,5B/5C,HIPS,BLK	1		Y

9-3-3-(b) Tray Till Assembly (5B/5C)

No.	Code No.	Description	Specification	Q'ty	Remark	Serviceable
B	JK97-00991A	MEA UNIT-TRAY TILL	A-DRAWER,4B/8C,2 LATCH	1		N
B1	JK75-10389A	MEC-LOCK KEY	DRAWER	1		Y
B2	JK70-10014A	IPR-PLATE FRONT	A-TYPE,SBC-1,T1	1		Y
B3	JK97-00378B	MEA-TRAY TILL	A-TYPE,4B/8C,2 LATCH	1		N
B4	JK73-10203A	RPR-TENSION	DRAWER,SPONGE,-,BLK,-	2		N
B5	JK75-10386A	MEC-ROLLER	DRAWER,DR-19-B1/PI19	2		Y
B6	6031-000549	WASHER-PLAIN	ID6.5,OD13,T1.0	2		Y
B7	6002-000207	SCREW-TAPPING	RH,+2S,M4,L8	1		N
B8	JK70-10324A	IPR-SUPPROT TRAY	DRAWER,SBHG-1,T1.2	1		N
B9	JK70-40302A	ICT-SHAFT PIN	A-TYPE,SUM45C,D5,	1		Y
B10	6044-000124	RING-E	ID3,OD7,TO.6,ZPC(BLK),STSC	1		Y
B11	6002-001042	SCREW-TAPPING	FH,+2S,M3,L6	2		Y
B12	JK70-10323A	IPR-PLATE CLIP	DRAWER,SWP,T0.5	1		Y

9-3-3-(c) Housing Assembly (5B/5C)

No.	Code No.	Description	Specification	Q'ty	Remark	Serviceable
C	JK97-00194A	MEA-COVER HOUSING	A-TYPE,BASIC	1		N
	JK97-00194B	MEA-COVER HOUSING	A-TYPE,NONE HOLE,OPTION	1		N
C1	JK97-00195A	MEA-SUB HOUSING	A-TYPE,BASIC	1		N
	JK97-00195B	MEA-SUB HOUSING	A-TYPE,NONE HOLE,OPTION	1		N
C2	JK75-10386A	MEC-ROLLER	DRAWER,DR-19-B1/PI19	2		Y
C3	JK73-20207A	REX-PAD DRAWER	DRAWER,NR,BLK	2		N

9-3 Drawer**9-3-3-(d) Lock Assembly (5B/5C)**

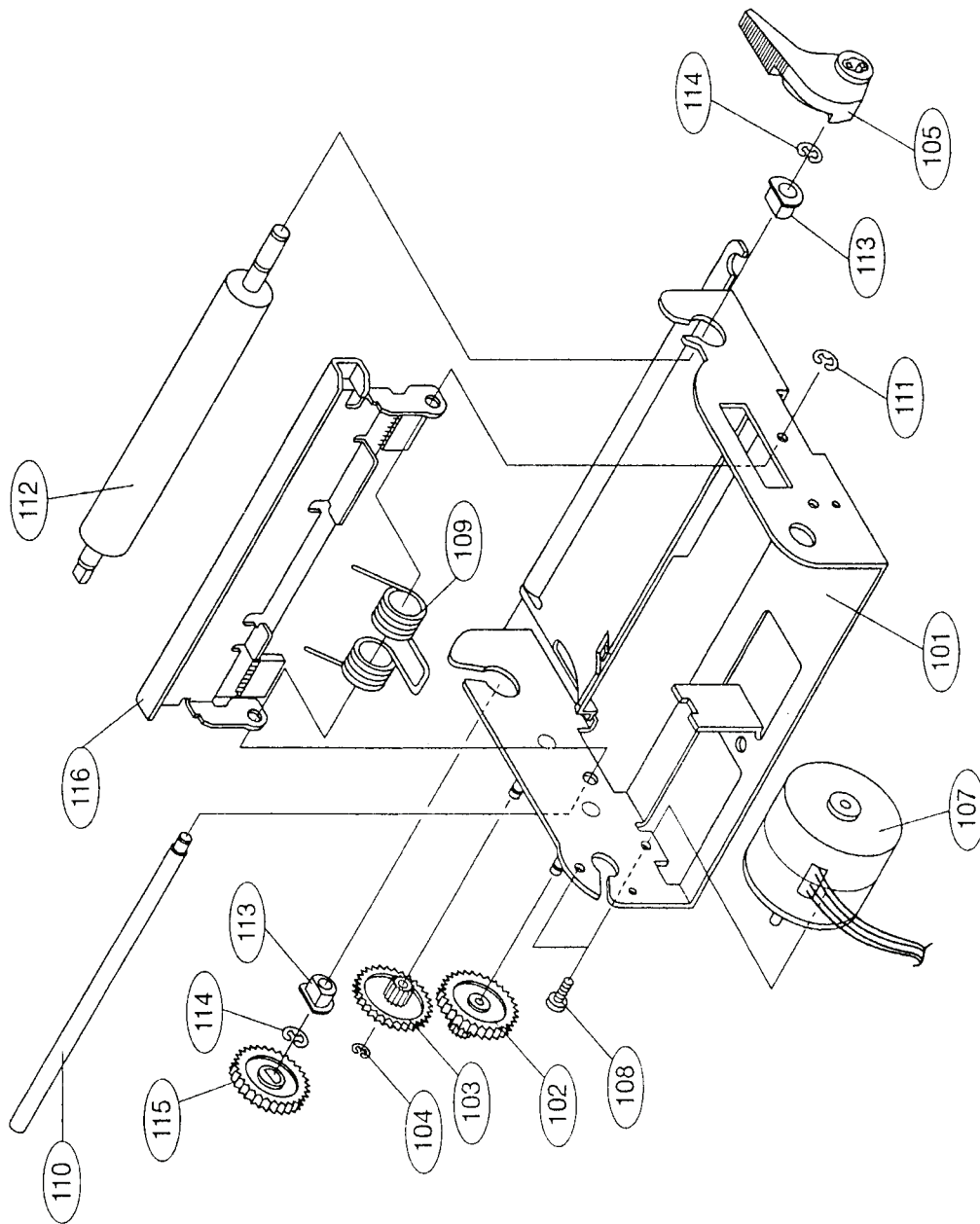
No.	Code No.	Description	Specification	Q'ty	Remark	Serviceable
D	JK97-00985A	MEA UNIT-LOCK	A-TYPE,2-LATCH,LONG LEVER	1		N
	JK97-00987A	MEA UNIT-LOCK	A-TYPE,2-LATCH,SHORT LEVER	1		N
D1	6001-000592	SCREW-MACHINE	TH,+,M4,L8,ZPC(YEL)	1		Y
D2	JK73-20210A	REX-BUMPER	DRAWER,NR,BLK	1		Y
D3	JK61-70100A	SPRING-PUSH	DRAWER,FZN	1		Y
D4	JK97-00989A	MEA UNIT-SUB LOCK	A-TYPE,2-LATCH,LONG LEVER	1		N
	JK97-00988A	MEA UNIT-SUB LOCK	A-TYPE,2-LATCH,SHORT LEVER	1		N
D5	6107-001014	SPRING-ES	PI0.4,D4.8,L18,-,STS304WPB	1		Y
D6	JK33-10500A	SOLENOID-DC	A-DRAWER,KSD-2013-S(200)	1		Y
D7	6001-000131	SCREW-MACHINE	BH,+,M3,L6	2		Y
D8	6001-000525	SCREW-MACHINE	PH,+,M3,L14	2		Y
D9	3405-001013	SWITCH-MICRO	125V,5A,60gf,SPST-NO	1		Y
D10	JK39-40301R	CBF-HARNESS	2P,150MM,BRN,1007	1		Y
D11	6002-000161	SCREW-TAPPING	PH,+,2,M4,L8	3		Y

9-3-3-(e) Bottom Assembly (5B/5C)

No.	Code No.	Description	Specification	Q'ty	Remark	Serviceable
E	JK97-00995A	MEA UNIT-BOTTOM	A-DRAWER	1		N
E1	JK70-10938A	IPR-PLATE BOTTOM	A-DRAWER,SBHG-1,T1.0	1		Y
E2	JK73-10902A	PMSTOPPER	DRAWER,NR,BLK,UNIVERSAL	2	USA	Y
	JK73-40200A	PMO-STOPPER	DRAWER,NR,BLK	2		Y
E3	JK61-40200A	FOOT-RUBBER	DRAWER,NR,GRAY,80HB	4		Y
E4	6002-000234	SCREW-TAPPING	TH,+,2S,M4,L16	4		Y
E5	6002-000175	SCREW-TAPPING	PWH,+,2,M3,L8	4		Y
E6	JK70-10401A	IPR-PLATE SPRING	DRAWER,STS304,T0.3	2		Y
E7	6002-000175	SCREW-TAPPING	PWH,+,2,M3,L8	4		Y

9-4 Printer (M-T102)

9-4-1 Exploded View



9-4 Printer (M-T102)**9-4-2 Parts List**

No.	Code No.	Description	Specification	Q'ty	Remark	Serviceable
101	JK81-00101A	AS-FRAME UNIT	1040307,M-T102	1		Y
102	JK81-00102A	AS-GEAR,FIRST REDUCTION	1034294,EPSON,M-T102	1		Y
103	JK81-00103A	AS-GEAR,SECOND REDUCTION	1034295,EPSON,M-T102	1		Y
104	JK81-00104A	AS-RETAINING RING	B150300314,EPSON, M-T102,TYPE-E(1.5)	1		Y
105	JK81-00105A	AS-LEVER,PRINT HEAD SHIFTING	1034297,EPSON,M-T102	1		Y
106	JK81-00106A	AS-SEAL,JAPAN	1036031,EPSON,M-T102	1		Y
107	JK81-00107A	AS-MOTOR	2024461,EPSON,M-T102	1		Y
108	JK81-00108A	AS-C.P,2X2,F/ZN	1017870,EPSON,M-T102	2		Y
109	JK81-00109A	AS-SPRING,PRESS HEAD	1034298,EPSON,M-T102	1		Y
110	JK81-00110A	AS-SHAFT,FIXED PLATE	1034288,EPSON,M-T102	1		Y
111	JK81-00111A	AS-RETAINING RING	B150300314,EPSON, M-T102,TYPE-E(1.5)	1		Y
112	JK81-00112A	AS-PLATEN	1034299,EPSON,M-T102	1		Y
113	JK81-00113A	AS-SHAFT HOLDER,PLATEN	1005775,EPSON,M-T102	2		Y
114	JK81-00114A	AS-RETAINING RING	1004399,EPSON,M-T102, TYPE-E(2.5)	2		Y
115	JK81-00115A	AS-GEAR,PLATEN	1034296,EPSON,M-T102	1		Y
116	JK81-00116A	AS-PRINT HEAD ASS'Y	1041857,EPSON,M-T102	1		Y