



Scale Solutions



▲ Portion control

▶ Traditionally used in convenience stores, cafeterias, delicatessens, candy stores, coffee houses, or other retailers where counter space is limited.

Model 6702

Point-of-Sale Interface Scale for linking to electronic cash registers or computers

Model 6702 Point-of-Sale Interface Scale

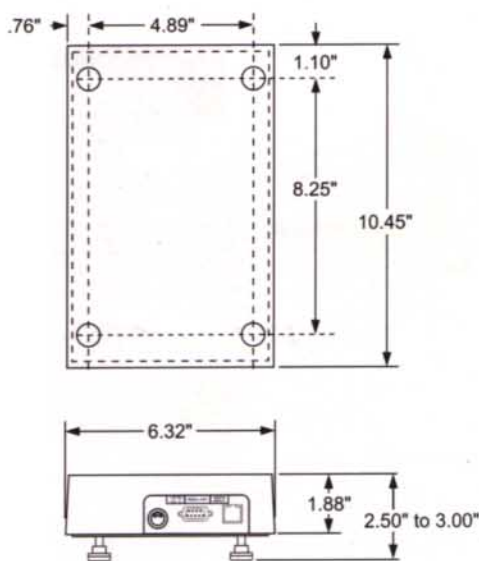
Features & Benefits

- Low profile
- Small footprint
- Accurate
- Reliable
- Fast weight response
- Digital configuration; simple, fast, and easy installation; easy operator training
- Interfaces to all major electronic cash registers and computers for point-of-sale operations
- RS-232 / 4-bit parallel interfaces internally configurable
- Dual measurement, pounds/kilograms selectable from display in set-up mode
- Quick disconnects at rear of scale for all external connections
- Digital calibration from display in set-up mode
- Self-diagnostics in test mode
- Component interchangeability with other scales in 6700 family

Our scales are also perfect for portion control and ingredient batching for pizza, salad, and sandwich preparation.

Options

- 12" (30.48 cm) high pole for remote display
- Display bracket to attach remote display to scale base
- 230 VAC, 50 Hz power supply. Cable terminated with a universal connector
- Many interface cables available for specific ECRs and PCs.



Specifications

Scale capacities and resolution:

Pounds	Kilograms
9.995 x .005	7 x .002
30 x .01	15 x .005

Dimensions:

6.32" w x 10.45" d (160.5 mm x 265.4 mm)
Adjustable height: 2.50" to 3.00" (63.5 mm to 76.2 mm)
Weight platter: stainless steel 6" x 10" (152.4 mm x 254 mm)
weighing area with full skirt around perimeter of base, except at rear where cabling connections are made

Remote Display: ½" (12.7 mm) high 6-digit LCD in enclosure
5.46" w x 2.26" h x 1" d (13.87 x 5.74 x 2.54 cm)
with 7-foot (2 m) cable and Velcro™ mounting

Controls: ZERO - With Auto Zero tracking and manual control when out of range
TEST - weigh mode: test for display segments, RAM and ROM
- configuration mode: select menu
- diagnostics mode: perform individual tests

Operating environment: 41°F to 104°F (5°C to 40°C) (Class III device)
10 to 90% RH (non-condensing)

Power:

Input: Wall mount transformer
120 VAC (+10% - 15%) / 60 Hz (±3 Hz) standard
3 wire with ground input
Output: 15 VDC @ .3 Amps minimum

Agency certificates of conformance:

NIST Handbook 44 Class III, commercial applications,
NTEP COC #95-070A4 and Canada Minister of Industry
approval number AM-5076 Rev.2



Weigh-Tronix, Inc.
2320 Airport Blvd
Santa Rosa, CA 95403-1098
Telephone: 707-527-5555
800-982-6622
Facsimile: 707-579-0180
800-847-6743
e-mail: weigh@wt-nbn.com
<http://www.wt-nbn.com>



WEIGH-TRONIX
Weighing Products & Systems

CashRegisterStore.com